



Traditionally Innovative

PESOP



EN – FR – DE – NL – RU – ES – IT – AR

V01-01-2017

PE50P

EN- Translation of original user instructions PE50p volumetric divider	5
FR- Notice d'utilisation originale Peseuse PE50p	17
DE- Übersetzung der Originalanleitung Abwieger PE50p	29
NL- Vertaling van de originele gebruikershandleiding Verdeler PE50p	41
RU- Перевод оригинального руководства по эксплуатации Весовой дозатор PE50p	53
ES- Traducción del manual de uso original Pesadora PE50p	65
IT- Traduzione delle informazioni sull'utilizzo originali Dosatrice PE50p	77
رئسي - ترجمة دليل الاستخدام الأصلي آلة PE50p وزن	89

1	BEFORE COMMISSIONING	7
2	WARRANTY	7
3	WARNINGS	8
4	TECHNICAL SPECIFICATIONS	9
4.1	Technical specifications	9
4.2	Details of materials in direct contact with dough.....	9
5	INSTALLATION AND COMMISSIONING	10
5.1	Unpacking the machine:.....	10
5.2	Positioning:.....	10
5.3	Electrical connection:.....	11
5.4	Commissioning:.....	11
5.5	Danger:	12
6	CONTROLS AND SAFETY FEATURES.....	12
6.1	Controls:.....	12
6.2	Setting area:.....	12
6.3	Work area:	12
6.4	Safety features:	12
7	OPERATION.....	12
8	MAINTENANCE.....	13
8.1	Daily, by a trained operator	13
8.2	Weekly, by a trained operator.....	13
8.3	Annually, by an approved agent	13
9	CONSUMABLES	14
9.1	List of CONSUMABLES.....	14
10	MALFUNCTIONS	15
11	ERROR CODES	15
12	LIST OF COMPONENTS IN ILLUSTRATIONS.....	16

1 BEFORE COMMISSIONING

Thank you for choosing a JAC system. It is essential that you read these instructions before installing and commissioning this machine. This will protect you and avoid damaging your machine.

These instructions refer to various illustrations in order to make them easier to understand. These illustrations are at the end of the instructions. Please refer to them whenever you see the following symbols: (fig.X, n°Y).

To ensure that your machine gives you full satisfaction over the coming years, we invite you to familiarise yourself with the following advice:

- Enlist the help of your approved agent for installation, commissioning and service support.
- In order to be covered by the 5-year warranty (see terms and conditions set out below), please have your dealer fill in the service booklet when your machine is being installed. The service booklet is at the back of your machine.

2 WARRANTY



All JAC products are covered by a 5-year warranty.

This warranty is valid for all parts on your machine, including electronic components but excluding consumables. The warranty takes effect on the date the equipment is installed.

Subject to the following restrictive conditions:

- Equipment acquired from an approved dealer;
- Installation carried out by an approved agent;
- Equipment used in accordance with the instructions for use and for the intended purpose for which it was manufactured;
- Equipment serviced on a daily basis in compliance with the instructions for use;
- Regular servicing by the approved agent in compliance with service specifications, with at least one service a year (servicing chargeable to the user).
- Exclusive use of genuine JAC parts.



If there is no record of servicing by an approved agent and/or if the service booklet has not been filled in correctly, warranty cover will be limited to one year.

This warranty does not cover:

- Replacement of consumables (§9);
- Parts not accepted as defective by our company;
- Problems due to improper use of the equipment;
- Problems due to installation not carried out by an approved agent;
- Parts or problems due to transit damage or improper handling.

Repairing and/or replacing defective parts during the warranty period does not bring about an extension of said warranty.

3 WARNINGS

It is most important that these user instructions be kept with the machine for any future reference. Should this machine be sold or transferred to another user, please ensure that the user instructions are handed over so that the new user can be familiarised with its operation and the warnings associated with it.



These warnings are given for your safety and that of others. We would therefore ask you to read them carefully before installing and using the machine.

This machine has been designed for use by authorised adults. Please therefore ensure that children do not touch it or use it as a toy.

This machine is intended exclusively for professional use.

It is dangerous to modify or attempt to modify the specifications of this machine.

After having installed this machine, please ensure that it is not standing on the power cable.

Follow the instructions given for its use.

This machine must be stored and used in an indoor room, protected from moisture and heat.

This machine must be adequately illuminated to operate it.

The noise level of this machine does not exceed 75 dB(A) in accordance with EN ISO 3744.

This machine must be used by one person at a time (unless otherwise specified).



Always disconnect the mains supply before cleaning the machine inside/outside and when carrying out maintenance.

This machine is heavy. Take all necessary safety precautions when handling it.

4 TECHNICAL SPECIFICATIONS

4.1 Technical specifications

	Short belt	Long belt
Height (mm)	1775	
Hopper fill height	1463	
Width (mm)	950	
Depth (mm)	1348	1784
Hopper capacity (kg)	160	
Packaging (mm)	1165 x 1030 x 830	
Net weight (kg)	500	
Net weight + packing (kg)	90	
Motor power rating (kW)	2.4	
Motor type	Three-phase	
220 V - 50 Hz (A)	12	
380 V - 50 Hz (A)	9.5	

	Ø74	Ø95	Ø109	Ø119	Ø131
Dough piece min./max. weights (g)	70/400	110/650	160/850	300/1000	400/1300

Production rate (pieces per hour)			
STAND-ALONE configuration	960	1200	1400
PRO+ configuration	960	1200	1400
LPS configuration	1200	1800	
PROLINE configuration	960 > 1800		

The minimum hydration rate required for optimum operation is 60%

4.2 Details of materials in direct contact with dough.

Hopper: TEFLON

Drum: STAINLESS STEEL

Piston: STEEL CASTING

Outfeed belt: FELT

5.1 Unpacking the machine:

Machines are delivered from our works on pallets, strapped and protected with cardboard. First of all, the packaging must be examined and any damage caused in transit must be declared directly to the carrier.

- A. Remove the case.
- B. Remove the side casings from the machine in order to gain access to the jacking screws (fig.3).
- C. Detach the machine from its pallet by unscrewing the jacking screws immobilising the machine (fig.4).
- D. Take the machine off the pallet. Make sure you do this with at least two people in order to lower it as gently as possible onto the floor.
- E. During machine installation, the pads must be fitted under the jacking screws (fig.5).
- F. Fit the hopper on the machine. Make sure you do this with at least two people (fig.6).
- G. Remove the cover allowing access to the hopper valve to enable the air line to be connected between the valve and the fitting located under the pressure gauge, passing the line through the duct running along the hopper (fig.7).
- H. Open the hopper lid to connect the cable for its safety cut-out to the safety switch, passing the cable through the tube and the duct running along the tank (fig.8).
- I. Fit the outfeed belt (fig.9).
- J. Connect the belt Harting connector (fig.10).

After unpacking your machine, check that it has not been damaged in transit. Notify us of any defects.

5.2 Positioning:

In order to achieve excellent performance and long-term reliability, choose a location that is:

Well ventilated, shielded from direct sunlight and away from sources of heat, with a flat and sturdy surface free from vibration.

5.3 Electrical connection:

IMPORTANT: This machine must be earthed.

It is recommended that the system be protected with a fuse and an RCD.

Your mains electricity supply to the machine must be protected as indicated below:

- North America: 15 A protection;
- Rest of the world: 16 A protection.

For machines equipped with a variable speed drive, it is imperative that they be connected to a junction box on a circuit fitted with a 300 mA RCD.

Note: Any problem resulting from any other type of connection will not be covered under warranty.

Before connecting your machine to the mains supply and in order to prevent the motor from burning out when it is switched on, it is important to check that the mains supply matches the machine specification (see machine nameplate).

This machine complies with Machinery Directives 2006/42, 2006/95, 2004/108 and is CE marked as proof of this.

Please familiarise yourself with the safety pictograms displayed on the machine:



This pictogram indicates an electrocution hazard. Please isolate the machine before carrying out any work on it. You will find it at the back of the machine close to the power cable and inside the machine on the electrical enclosure (fig.24).

You will find the circuit diagram for the machine on the back of the electrical enclosure door (fig.25).

5.4 Commissioning:

Before commissioning, ensure that there are no extraneous objects interfering with the machine's moving parts.

Ensure first of all (after verifying electrical compatibility) that motors are rotating in the right direction, this means that:

- The cam is rotating clockwise (if not, reverse 2 phases at the variable speed drive).
- The outfeed belt is running in the right direction (if not, reverse 2 phases at the motor terminal box).
- Check that the oil pump is operating correctly; it must operate continuously (if not, set the pulse potentiometer to 90%).
- Check that the oil indicator light on the control panel is not lit (if it is, add 5 litres of oil via the oil filler plug).

For machine operation, refer to the "Operation" chapter.

5.5 **Danger:**

If the user or the machine is in danger, you must use the main isolator switch to cut the power supply to the machine.

Keep clear of the tray proofers when they are in motion.

Remove the plug from the power socket before any maintenance and/or servicing work.

Any maintenance work or replacement of parts must be carried out by an approved agent.

6 **CONTROLS AND SAFETY FEATURES**

6.1 **Controls:**

Your machine is equipped as standard with a mechanical control panel (fig.2).

6.2 **Setting area:**

The setting area is located at the machine control panel (fig.11, n°18).

6.3 **Work area:**

The work area is located at the machine outfeed belt (fig.11, n°19).

6.4 **Safety features:**

This machine is equipped with:

A mechanical safety lock (fig.1, n°8) which prevents the machine from operating if the hopper lid is not closed properly.

7 **OPERATION**

Switch on the power to the machine at the start of the day using the main isolator switch (fig.1, n°16).

Operating procedure

- A. Open the hopper lid (fig.12).
- B. Lubricate the inside of the hopper using a spray can or a cloth dipped in grapeseed oil (fig.12).
- C. Tip the dough into the hopper (fig.13).
- D. Close the hopper lid (fig.13).
- E. Set the desired weight for the dough pieces using the handwheel on the front of the machine (fig.14).
(A position indicator is located next to the buttons).
- F. Set the digital counter to determine the desired number of dough pieces (fig.14).
- G. Select the speed (production rate) 1, 2 or 3 (fig.15).
- H. Press the green button to start the cycle (fig.15).

The red button stops a cycle in progress (fig.1, n°12).

8 MAINTENANCE

8.1 Daily, by a trained operator.

- A. Clean the residue tray (fig.16).
- B. Clean the outfeed belt using a brush (fig.17).
- C. Remove any dough deposits that might obstruct the air intake in the hopper using an oiled cloth (fig.18).
- D. Check the flour dispenser level (fig.19).
- E. Clean the hopper (fig.20).
- F. Clean the lid seal with an oiled cloth (fig.21).
- G. Clean the scraper at the drum with an oiled cloth (fig.22).
- H. Check whether the oil filter is clogged via the clogging indicator (fig.23).

8.2 Weekly, by a trained operator.

Clean the inside of the machine using a cloth and a soft brush.
Check and adjust as necessary the sealing of the hopper closure lid using an Allen key.

8.3 Annually, by an approved agent.

Check and adjust the outfeed belt tension using an open-ended spanner.
Check the cam bearing and piston rollers for wear using a screwdriver.
Check that the oil pump is operating correctly.
Check that the diaphragm compressor is operating correctly (0.3 bar gauge pressure).
Drain the oil.
Replace the piston seals (every year or 200,000 cycles).

Check that your approved agent has recorded his work in your service booklet in order to maintain your 5-year warranty cover.

9 CONSUMABLES

When ordering spare parts, check with your approved agent which part is required based on the spare parts catalogue issued by the manufacturer.
Always quote the machine serial number shown on the nameplate.
Your agent will place the orders with JAC.

9.1 List of CONSUMABLES

ITEM CODE	NEW DESCRIPTION	MODEL
F3071100	FLOUR DISPENSER BRUSH	ALL
F8003092	DRUM SCRAPER BLADE	ALL
F8003098	PISTON SCRAPER BLADE	ALL
F8003172	OUTFEED BELT SCRAPER BLADE	ALL
F8002035	PISTON ROLLER	ALL
F8002032	CAM ROLLER	ALL
F8002106	GRAPESEED OIL	ALL
F8002101	SHORT OUTFEED BELT	ALL
F8002102	LONG OUTFEED BELT	ALL
F8002117	OIL FILTER	ALL
F8002076	O-RING, 74MM DIA.	ALL
F8002124	LIP SEAL, 74MM DIA.	ALL
F8002099	O-RING, 95MM DIA.	ALL
F8002125	LIP SEAL, 95MM DIA.	ALL
F8002042	O-RING, 109MM DIA.	ALL
F8002126	LIP SEAL, 109MM DIA.	ALL
F8002085	O-RING, 119MM DIA.	ALL
F8002127	LIP SEAL, 119MM DIA.	ALL
F8002107	O-RING, 131MM DIA.	ALL
F8002128	LIP SEAL, 131MM DIA.	ALL
F8002096	LID SEAL, PE50	ALL
F8002013	BEARING BLOCK	ALL

10 MALFUNCTIONS

WARNING: The machine must be isolated from the power supply before attempting any work on it.

Problem	Check
The machine will not start	Check the main power supply. Close the hopper lid.
Weights are not consistent	Check its operating condition. Check for any air leaks (lid) or blockages in pipes. Check that the pressure gauge is showing 0.3 bar. Check its position. Replace the seals.



Should the problem persist, please contact your technician.

11 ERROR CODES

code displayed on variable speed drive	Problem description	Action
LU	Low voltage	Check variable speed drive parameters. 06.03 06.04 07.00 07.01 07.02
OL	Overload	
OL1	Overload 1	
OL2	Overload 2	



Should the problem persist, please contact your technician.

12 LIST OF COMPONENTS IN ILLUSTRATIONS

Figure	Item	Description
1	1	Belt
	2	Belt tensioner
	3	Control panel
	4	Braked castor
	5	Geared motor
	6	Moulder fitting bracket
	7	Flour recovery bin
2	8	Work area
3	9	Emergency stop
	10	ON/OFF button
	11	Start
	12	Stop
4	13	Pictogram indicating an electrocution hazard
	14	Electrical enclosure

1	AVANT LA MISE EN SERVICE.....	18
2	GARANTIE.....	18
3	AVERTISSEMENTS	19
4	CARACTERISTIQUES TECHNIQUES.....	20
4.1	Caractéristiques techniques	20
4.2	Détail des matériaux en contact direct avec la pâte	20
5	INSTALLATION ET MISE EN SERVICE.....	21
5.1	Déconditionnement de la machine.....	21
5.2	Emplacement.....	21
5.3	Raccordement électrique.....	22
5.4	Mise en service	22
5.5	Danger	23
6	ORGANE DE COMMANDE ET DE SECURITE	23
6.1	Organe de commande.....	23
6.2	Zone de réglage	23
6.3	Zone de travail	23
6.4	Organes de sécurité	23
7	UTILISATION.....	23
8	ENTRETIEN.....	24
8.1	Journalier par un utilisateur formé.....	24
8.2	Hebdomadaire par un utilisateur formé	24
8.3	Annuel par un agent agréé.....	24
9	CONSOMMABLES.....	25
9.1	Liste des CONSOMMABLES.....	25
10	INCIDENTS DE FONCTIONNEMENT	26
11	CODES D'ERREUR	26
12	LISTE DES COMPOSANTS SUR LES FIGURES.....	27

1 AVANT LA MISE EN SERVICE

Merci d'avoir choisi une solution JAC. Veuillez impérativement lire ce mode d'emploi avant d'installer et de mettre en service cette machine. Vous pourrez ainsi vous protéger et éviter de détériorer votre machine.

Cette notice fait référence à différentes figures afin de faciliter la compréhension des instructions. Ces figures se trouvent en fin de notice. Veuillez vous y référer dès que vous rencontrez les symboles suivants (fig.x, n°y).

Pour que votre machine vous donne entière satisfaction au cours des prochaines années, nous vous invitons à prendre connaissance des conseils suivants :

- Faites-vous aider par votre agent agréé pour l'installation, la mise en service et le suivi.
- Afin de pouvoir bénéficier de la garantie de 5 ans (voir conditions reprises ci-après), faites compléter le carnet d'entretien par votre distributeur lors de l'installation de votre machine. Ce carnet d'entretien se trouve à l'arrière de votre machine.

2 GARANTIE



JAC offre une garantie de 5 ans sur tous ses produits.

Cette garantie est valable sur toutes les pièces de votre machine, pièces électroniques incluses, hors consommables. La garantie prend effet à la date d'installation du matériel.

Sous les conditions restrictives suivantes :

- matériel acquis auprès d'un revendeur agréé ;
- installation effectuée par un agent agréé ;
- utilisation du matériel conformément aux indications du mode d'emploi et dans le but pour lequel il a été fabriqué ;
- matériel quotidiennement entretenu conformément aux indications du mode d'emploi ;
- entretiens suivis par l'agent agréé conformément aux spécifications d'entretien avec, au minimum, un entretien par an (entretien à charge de l'utilisateur) ;
- utilisation exclusive des pièces d'origine JAC.



S'il n'y a pas de suivi d'entretien par un agent agréé et/ou que le carnet d'entretien n'est pas correctement complété, la garantie se limite à un an.

Cette garantie ne couvre pas :

- le remplacement des consommables (§9) ;
- les pièces non reconnues défectueuses par nos services ;
- les problèmes résultant d'une utilisation anormale du matériel ;
- les problèmes résultant d'une installation non effectuée par un agent agréé ;
- les pièces ou les problèmes résultant d'un dégât de transport ou d'une manutention inappropriée.

Une réparation et/ou un remplacement de pièces défectueuses effectué(es) durant la période de garantie n'a (n'ont) pas pour effet de prolonger ladite garantie.

3 AVERTISSEMENTS

Il est très important que cette notice d'utilisation soit conservée avec l'appareil pour toute future consultation. Si cet appareil devait être vendu ou transféré à une autre personne, assurez-vous que la notice d'utilisation soit remise de façon à ce que l'utilisateur puisse être informé de son fonctionnement et des avertissements s'y rapportant.



Ces avertissements sont donnés pour votre sécurité et pour celle d'autrui. Nous vous prions donc de bien vouloir les lire attentivement avant d'installer et d'utiliser l'appareil.

Cette machine a été conçue pour être utilisée par des adultes autorisés. Veuillez donc à ce que les enfants n'y touchent pas ou qu'ils ne l'utilisent pas comme un jouet.

Cette machine est exclusivement réservée à un usage professionnel.

Il est dangereux de modifier ou d'essayer de modifier les caractéristiques de cette machine.

Après l'installation de cette machine, assurez-vous qu'elle ne repose pas sur le câble d'alimentation.

Suivez les instructions données pour l'utilisation.

Cette machine doit être stockée et utilisée à l'intérieur, dans un local à l'abri de l'humidité et de la chaleur.

Cette machine doit être suffisamment éclairée pour effectuer le travail.

Cette machine a un niveau sonore inférieur à 75 dB(A), suivant la norme EN ISO 3744.

Cette machine doit être utilisée par une seule personne à la fois (sauf prescription contraire).



Toujours débrancher la prise de courant avant de procéder au nettoyage intérieur/extérieur de l'appareil et aux opérations de maintenance.

Cet appareil est lourd. Prenez toutes les précautions de sécurité lors de sa manutention.

4 CARACTERISTIQUES TECHNIQUES

4.1 Caractéristiques techniques

	Tapis court	Tapis long
Hauteur (mm)	1775	
Hauteur remplissage trémie (mm)	1463	
Largeur (mm)	950	
Profondeur (mm)	1348	1784
Capacité de la trémie (kg)	160	
Colisage (mm)	1165 x1030 x 830	
Poids net (kg)	500	
Poids NET + emballage (kg)	90	
Puissance moteur (kW)	2,4	
Type moteur	Triphasé	
220v - 50Hz (A)	12	
380v - 50Hz (A)	9,5	

	Ø74	Ø95	Ø109	Ø119	Ø131
Poids des pâtons mini/maxi (g)	70 / 400	110 / 650	160 / 850	300 / 1000	400 / 1300

Cadence (pièces par heure)			
Configuration AUTONOME	960	1200	1400
Configuration PRO+	960	1200	1400
Configuration LPS	1200	1800	
Configuration PROLINE	960 > 1800		

Pour un fonctionnement parfait, le taux d'hydratation doit être de 60 % minimum.

4.2 Détail des matériaux en contact direct avec la pâte

Trémie : TEFLON

Tambour : INOX

Piston : FONTE D'ACIER

Tapis de sortie : FEUTRE

5.1 Déconditionnement de la machine

Les machines sont livrées, sorties de nos ateliers, sur palettes, sanglées et protégées par du carton. Avant toute chose, l'emballage doit être observé et tout dommage dû au transport doit être déclaré directement au livreur.

- A. Retirer la caisse.
- B. Retirer les carters latéraux de la machine afin d'avoir accès aux vis vérin (fig.3).
- C. Désolidariser la machine de sa palette en dévissant les vis vérin qui bloquent la machine (fig.4).
- D. Descendre la machine de la palette. Veiller à faire cette manipulation à au moins deux personnes afin d'amortir au mieux le contact avec le sol.
- E. Pendant la mise en place de la machine, les cales doivent être installées sous les vis vérin (fig.5).
- F. Mettre en place la trémie sur la machine. Veiller à faire cette manipulation à au moins deux personnes (fig.6).
- G. Retirer le capot permettant d'accéder au robinet de la trémie afin de pouvoir raccorder le tuyau d'air entre le robinet et le raccord se trouvant en dessous du manomètre en passant par la cornière longeant la trémie (fig.7).
- H. Ouvrir le couvercle de la trémie de façon à raccorder le câble de la sécurité de celle-ci sur l'interrupteur de sécurité en passant par le tube et la cornière longeant la cuve (fig.8).
- I. Mettre en place le tapis de sortie (fig.9).
- J. Raccorder la prise harting du tapis (fig.10).

Après déballage de la machine, vérifier qu'elle n'a pas subi de dommages pendant le transport. Nous signaler toute anomalie.

5.2 Emplacement

Pour obtenir d'excellentes performances et une fiabilité à long terme, choisir un emplacement :

Bien ventilé, à l'abri du rayonnement solaire direct et éloigné des sources de chaleur, avec une surface plane et robuste exempte de vibrations.

5.3 Raccordement électrique

IMPORTANT : Mise à la terre obligatoire.

Il est conseillé de protéger l'installation avec un fusible et un disjoncteur différentiel.

Votre installation électrique alimentant la machine doit être protégée comme indiqué ci-dessous :

- Amérique du Nord : Protection 15A ;
- Reste du monde : Protection 16A.

Pour les machines équipées d'un variateur, celles-ci doivent être impérativement raccordées à une boîte de dérivation sur une ligne équipée d'un différentiel de 300mA.

Note : Tout problème résultant d'un autre type de raccordement ne sera pas pris en compte par la garantie.

Avant de connecter la machine au réseau et afin d'éviter une mise hors service du moteur à la mise sous tension, il est important de vérifier la concordance du réseau d'alimentation avec les caractéristiques de la machine (voir plaque signalétique de celle-ci).

Cet appareil est conforme aux Directives Machines 2006/42, 2006/95, 2004/108 et porte le marquage CE attestant cette conformité.

Veillez prendre connaissance des pictogrammes de sécurité figurant sur la machine :



Pictogramme signalant un risque d'électrocution. Veuillez débrancher la machine avant toute intervention sur celle-ci. Vous retrouverez ce pictogramme à l'arrière de la machine à proximité du câble d'alimentation et à l'intérieur de la machine sur le coffret électrique (fig.24).

Vous trouverez le schéma électrique de la machine sur le verso de la porte du coffret électrique (fig.25).

5.4 Mise en service

Avant la mise en service, s'assurer de l'absence de tout objet parasite sur les parties en mouvement de la machine.

S'assurer tout d'abord (après vérification des concordances électriques) que les moteurs tournent dans le bon sens ; il faut pour cela (que) :

- la came tourne dans le sens horaire (sinon, inverser 2 phases au niveau du variateur) ;
- le tapis de sortie tourne dans le bon sens (sinon, inverser 2 phases au niveau de la boîte à borne du moteur) ;
- vérifier le bon fonctionnement de la pompe à huile ; celle-ci doit fonctionner en continu (sinon, régler le potentiomètre d'impulsion sur 90 %) ;
- vérifier que le voyant d'huile sur le tableau de commande n'est pas allumé (si c'est le cas, effectuer un remplissage de 5 L d'huile via le bouchon de remplissage d'huile).

Pour l'utilisation de la machine, se reporter au chapitre « Utilisation ».

5.5 Danger

En cas de danger pour l'utilisateur ou pour la machine, utiliser l'interrupteur général pour couper l'alimentation de la machine.

Ne pas s'approcher des balancelles quand celles-ci sont en mouvement.

Retirer la fiche de la prise électrique avant toute opération de maintenance et d'entretien.

Toute opération de maintenance ou de remplacement de pièce doit être effectuée par un agent agréé.

6 ORGANE DE COMMANDE ET DE SECURITE

6.1 Organe de commande

Votre machine est équipée de série d'un pupitre de commande mécanique (fig.2).

6.2 Zone de réglage

La zone de réglage se situe au niveau du pupitre de commande de la machine (fig.11, n°18).

6.3 Zone de travail

La zone de travail se situe au niveau du tapis de sortie de la machine (fig.11, n°19).

6.4 Organes de sécurité

Cette machine est équipée :

D'un verrou de sécurité mécanique (fig.1, n°8) qui empêche la machine de fonctionner si le couvercle de la trémie n'est pas correctement fermé.

7 UTILISATION

En début de journée, mettre la machine sous tension à l'aide de l'interrupteur général (fig.1, n°16).

Procédure d'utilisation

- A. Ouvrir le couvercle de la trémie (fig.12).
- B. Lubrifier l'intérieur de la trémie à l'aide d'une bombe ou d'un chiffon imbibé d'huile de pépin de raisin (fig.12).
- C. Déverser la pâte dans la trémie (fig.13).
- D. Fermer le couvercle de la trémie (fig.13).
- E. Régler le poids des pâtons souhaité à l'aide du volant situé à l'avant de la machine (fig.14) (*un indicateur de positions est situé à côté des boutons*).
- F. Régler le compteur digital afin d'établir le nombre de pâtons désiré (fig.14).
- G. Sélectionner la vitesse (cadence) 1,2 ou 3 (fig.15).
- H. Appuyer sur le bouton vert pour démarrer le cycle (fig.15).

Le bouton rouge permet d'arrêter un cycle en cours (fig.1, n°12).

8.1 Journalier par un utilisateur formé

- A. Nettoyer le bac à résidus (fig.16).
- B. Nettoyer le tapis de sortie à l'aide d'une brosse (fig.17).
- C. Retirer les dépôts de pâte pouvant obstruer l'arrivée d'air dans la trémie à l'aide d'un chiffon huilé (fig.18).
- D. Vérifier le niveau du farineur (fig.19).
- E. Nettoyer la trémie (fig.20).
- F. Nettoyer le joint de couvercle à l'aide d'un chiffon huilé (fig.21).
- G. Nettoyer le racleur au niveau du tambour à l'aide d'un chiffon huilé (fig.22).
- H. Vérifier l'encrassement du filtre à huile via l'indicateur de colmatage (fig.23).

8.2 Hebdomadaire par un utilisateur formé

Nettoyer l'intérieur de la machine à l'aide d'un chiffon et d'une brosse souple.
Vérifier et ajuster si nécessaire l'étanchéité du couvercle de fermeture de la trémie à l'aide d'une clé Allen.

8.3 Annuel par un agent agréé

Vérifier et ajuster la tension du tapis de sortie à l'aide d'une clé plate.
Vérifier l'usure du roulement de came et des galets de piston à l'aide d'un tournevis.
Vérifier le bon fonctionnement de la pompe à huile.
Vérifier le bon fonctionnement du compresseur à membrane (valeur de 0,3 bar au manomètre).
Vidanger l'huile.
Changer les joints de pistons (tous les ans ou tous les 200 000 cycles).

Bien vérifier que votre agent agréé enregistre son intervention dans votre carnet d'entretien afin de conserver votre garantie de 5 ans.

9 CONSOMMABLES

Lors d'une commande d'une pièce de rechange, vérifier avec votre agent agréé de quelle pièce il s'agit sur la base du catalogue de pièces de rechange émis par le fabricant.
Toujours préciser le numéro de machine comme indiqué sur la plaque signalétique.
Votre agent effectue les commandes auprès de JAC.

9.1 Liste des CONSOMMABLES

REFERENCE	NOUVEAU LIBELLE	MODELE
F3071100	BROSSE FARINEUR	TOUTES
F8003092	LAME RACLEUR TAMBOUR	TOUTES
F8003098	LAME RACLEUR PISTON	TOUTES
F8003172	LAME RACLEUR COURSIER SORTIE	TOUTES
F8002035	GALET PISTON	TOUTES
F8002032	GALET CAME	TOUTES
F8002106	HUILE DE PEPIN DE RAISIN	TOUTES
F8002101	COURSIER SORTIE COURT	TOUTES
F8002102	COURSIER SORTIE LONG	TOUTES
F8002117	FILTRE A HUILE	TOUTES
F8002076	JOINT TORIQUE Ø74MM	TOUTES
F8002124	JOINT A LEVRE Ø74MM	TOUTES
F8002099	JOINT TORIQUE Ø95MM	TOUTES
F8002125	JOINT A LEVRE Ø95MM	TOUTES
F8002042	JOINT TORIQUE Ø109MM	TOUTES
F8002126	JOINT A LEVRE Ø109MM	TOUTES
F8002085	JOINT TORIQUE Ø119MM	TOUTES
F8002127	JOINT A LEVRE Ø119MM	TOUTES
F8002107	JOINT TORIQUE Ø131MM	TOUTES
F8002128	JOINT A LEVRE Ø131MM	TOUTES
F8002096	JOINT DE COUVERCLE PE50	TOUTES
F8002013	PALIER A ROULEMENT	TOUTES

10 INCIDENTS DE FONCTIONNEMENT

ATTENTION : La machine doit obligatoirement être mise hors tension pour toute intervention.

Problème	Vérification
La machine ne se met pas en route	Vérifier l'alimentation générale Fermer le couvercle de la trémie
Les poids ne sont pas réguliers	Vérifier son état de fonctionnement Vérifier les éventuelles fuites (couvercle) d'air ou l'encrassement des tuyaux Vérifier la valeur de 0,3 bar au niveau du manomètre Vérifier sa position Changer les joints



Si le problème persiste, veuillez contacter votre technicien.

11 CODES D'ERREUR

code affiché sur variateur	Description du problème	Action
LU	Baisse de tension	Vérifier les paramètres du variateur 06.03 06.04 07.00 07.01 07.02
OL	Surcharge	
OL1	Surcharge 1	
OL2	Surcharge 2	



Si le problème persiste, veuillez contacter votre technicien.

12 LISTE DES COMPOSANTS SUR LES FIGURES

Figure	Bulle	Nom
1	1	Tapis
	2	Tendeur tapis
	3	Pupitre de commande
	4	Roulette frein
	5	Motoréducteur
	6	Equerre adaptation façonneuse
	7	Bac de récupération de la farine
2	8	Zone de travail
3	9	Arrêt d'urgence
	10	Bouton de mise en route ON/OFF
	11	Mise en marche
	12	Arrêt
4	13	Pictogramme signalant un risque d'électrocution
	14	Boîtier électrique

1	VOR DER INBETRIEBNAHME	31
2	GARANTIE.....	31
3	WARNHINWEISE	32
4	TECHNISCHE DATEN.....	33
4.1	Technische Daten	33
4.2	Materialien der Teile, die in Kontakt mit dem Schnittgut kommen.....	33
5	INSTALLATION UND INBETRIEBNAHME.....	34
5.1	Auspacken der Maschine:	34
5.2	Aufstellung:.....	34
5.3	Anschluss an die Stromversorgung:	35
5.4	Inbetriebnahme:	35
5.5	Gefahr:	36
6	BEDIENELEMENT UND SICHERHEITSVORRICHTUNG	36
6.1	Bedienelement:	36
6.2	Einstellbereich:	36
6.3	Arbeitsbereich:.....	36
6.4	Sicherheitseinrichtungen:	36
7	BEDIENUNG.....	36
8	INSTANDHALTUNG	37
8.1	Taglich durch einen eingewiesenen Bediener:	37
8.2	Wochentlich durch einen eingewiesenen Bediener:	37
8.3	Jahrlich durch einen zugelassenen Vertreter:.....	37
9	ERSATZTEILE	38
9.1	ERSATZTEILLISTE.....	38
10	STORUNGEN UND FEHLER.....	39
11	FEHLERCODES.....	39
12	LISTE DER ABGEBILDETEN TEILE UND FUNKTIONEN	40



1 VOR DER INBETRIEBNAHME

Vielen Dank, dass Sie sich für ein Gerät von JAC entschieden haben. Bitte lesen Sie diese Bedienungsanleitung vor der Installation und Inbetriebnahme dieser Maschine aufmerksam durch. Dies dient zu Ihrer Sicherheit und zum Schutz der Maschine vor Schäden.

Diese Bedienungsanleitung enthält Verweise auf verschiedene Abbildungen, die das Verständnis der Anleitungen erleichtern. Die Abbildungen befinden sich am Schluss der Bedienungsanleitung. Bitte schlagen Sie die jeweilige Abbildung anhand des angegebenen Verweises (Fig. X, Nr. Y) nach.

Damit Sie sich viele Jahre an dieser Maschine erfreuen können, möchten wir Sie bitten, die folgenden Hinweise zu berücksichtigen:

- Lassen Sie sich bei der Installation, der Inbetriebnahme und der weiteren Nutzung von Ihrem zugelassenen Vertreter unterstützen.

- Um die Garantie von fünf Jahren (siehe nachfolgende Garantiebestimmungen) in Anspruch nehmen zu können, lassen Sie bitte von Ihrem Vertriebshändler bei der Installation Ihrer Maschine das Wartungsheft ausfüllen. Das Wartungsheft befindet sich an der Rückseite Ihrer Maschine.

2 GARANTIE



JAC bietet auf alle seine Produkte eine Garantie von fünf Jahren.

Diese Garantie erstreckt sich auf alle Teile Ihrer Maschine, auch auf die elektronischen Bauteile, außer Verschleißteile. Die Garantiefrist beginnt zum Zeitpunkt der Installation der Anlage.

Es gelten die folgenden Beschränkungen:

- Das Produkt wurde bei einem zugelassenen Vertragshändler erworben.
- Die Installation wurde von einem zugelassenen Vertreter vorgenommen.
- Das Produkt wurde im Rahmen seines bestimmungsgemäßen Gebrauchs und entsprechend der Bedienungsanleitung verwendet.
- Das Produkt wurde täglich entsprechend den Vorgaben der Bedienungsanleitung instandgehalten.
- Die Wartung wird durch einen zugelassenen Vertreter entsprechend den Wartungsvorgaben durchgeführt und findet mindestens einmal jährlich statt (auf Kosten des Anwenders).
- Es werden ausschließlich Originalersatzteile von JAC verwendet.



Sofern keine Wartung durch einen zugelassenen Vertreter erfolgt bzw. das Wartungsheft nicht ordnungsgemäß ausgefüllt ist, ist die Garantie auf ein Jahr begrenzt.

Diese Garantie deckt nicht:

- den Ersatz von Verschleißteilen (siehe Abschnitt 9);
- Teile, die unser Kundendienst nicht als defekt anerkennt;

- Probleme, die sich aus einer ungewöhnlichen Nutzung des Produktes ergeben;
- Probleme, die darauf zurückzuführen sind, dass die Installation nicht durch einen zugelassenen Vertreter durchgeführt wurde;
- Beschädigungen oder Probleme, die auf einen Transportschaden oder auf die unsachgemäße Handhabung des Produktes zurückzuführen sind.

Die Durchführung einer Reparatur und/oder der Ersatz defekter Teile während der Garantiefrist führen nicht zur Verlängerung der Garantiefrist.

3 WARNHINWEISE

Bitte bewahren Sie diese Bedienungsanleitung unbedingt mit Ihrem Gerät zum späteren Nachlesen auf. Bei Verkauf oder Weitergabe Ihres Gerätes übergeben Sie bitte diese Bedienungsanleitung an den neuen Besitzer bzw. Benutzer, damit dieser über die Funktionsweise des Gerätes und die Warnhinweise informiert ist und diese befolgen kann.



Diese Warnhinweise dienen zu Ihrer Sicherheit und der Sicherheit anderer. Bitte lesen Sie die Warnhinweise vor der Installation und Verwendung Ihres Gerätes aufmerksam durch.

Diese Maschine ist für die Verwendung durch befugte erwachsene Personen bestimmt. Stellen Sie sicher, dass die Maschine nicht von Kindern berührt oder als Spielzeug benutzt wird.

Diese Maschine ist ausschließlich für den professionellen Einsatz vorgesehen.

Eine Modifizierung bzw. versuchte Modifizierung der Eigenschaften und Merkmale dieser Maschine ist gefährlich.

Stellen Sie nach der Installation dieser Maschine sicher, dass diese nicht auf dem Netzkabel steht.

Befolgen Sie stets die Anleitungen zur Bedienung und Verwendung.

Die Maschine ist in einem Innenraum und gegen Feuchtigkeit und Hitze geschützt aufzustellen.

Die Maschine muss zur Durchführung der Arbeiten ausreichend ausgeleuchtet sein.

Der Geräuschpegel der Maschine liegt unter 75 dB(A) und entspricht damit der EN ISO 3744.

Die Maschine darf nicht von mehreren Personen gleichzeitig benutzt werden (es sei denn, die Anleitung gibt etwas Anderes vor).



Vor Reinigungsarbeiten innen und außen am Gerät und vor Wartungsarbeiten immer den Netzstecker ziehen.

Dieses Gerät ist sehr schwer. Beim Transport und Bewegen des Gerätes sind angemessene Vorsichtsmaßnahmen zu ergreifen.

4 TECHNISCHE DATEN

4.1 Technische Daten

	kurzes Band	langes Band
Höhe (mm)	1775	
Füllhöhe Trichter	1463	
Breite (mm)	950	
Tiefe (mm)	1348	1784
Fassungsvermögen des Trichters (in kg)	160	
Verpackungsmaße (mm)	1165 x 1030 x 830	
Nettogewicht (kg)	500	
Nettogewicht + Verpackung (kg)	90	
Motorleistung (kW)	2.4	
Motortyp	dreiphasig	
220 V - 50 Hz (A)	12	
380 V - 50 Hz (A)	9,5	

	Ø74	Ø95	Ø109	Ø119	Ø131
Min./max. Gewicht der Teiglinge (in g)	70 / 400	110 / 650	160 / 850	300 / 1000	400 / 1300

Takt (Stück pro Stunde)			
Konfiguration AUTONOM	960	1200	1400
Konfiguration PRO+	960	1200	1400
Konfiguration LPS	1200	1800	
Konfiguration PROLINE	960 > 1800		

Damit die Maschine optimal funktioniert, muss der Feuchtigkeitsgehalt mindestens 60% betragen.

4.2 Materialien der Teile, die in Kontakt mit dem Schnittgut kommen

TRICHTER: TEFLON
Trommel: EDELSTAHL
Kolben: GUSSEISEN
Austragsband: FILZ

5.1 Auspacken der Maschine:

Unsere Maschinen werden zur Lieferung ab Werk auf Paletten verpackt, mit Umreifungsbändern gesichert und mit einer Kartonverpackung geschützt. Prüfen Sie die Verpackung bei Erhalt auf Beschädigungen und teilen Sie dem Spediteur etwaige Transportschäden direkt mit.

- A. Das Gehäuse entfernen.
- B. Die seitlichen Abdeckungen von der Maschine entfernen, um Zugang zu den Zylinderschrauben zu haben. (Fig. 3)
- C. Die vier Abdrückschrauben zur Sicherung der Maschine lösen und die Maschine von der Palette entfernen. (Fig. 4)
- D. Heben Sie die Maschine von der Palette. Dies muss durch mindestens zwei Personen erfolgen, so dass die Maschine möglichst sicher auf dem Boden abgesetzt werden kann.
- E. Während der Einrichtung der Maschine müssen die Keile unter den Abdrückschrauben (Fig. 5) installiert sein.
- F. Den Trichter auf der Maschine montieren. Dazu sind mindestens zwei Personen erforderlich (Fig. 6).
- G. Die Abdeckung abnehmen, um Zugang zum Trichterhahn zu erhalten und um so den Luftschlauch zwischen dem Hahn und dem Anschluss unterhalb des Druckmessers anzuschließen, und diesen entlang des Profileisens entlang des Trichters führen (Fig. 7).
- H. Den Trichterdeckel so öffnen, dass dessen Sicherheitskabel mit dem Sicherheitsschalter entlang dem Rohr und dem Profileisen entlang der Trog verbunden wird. (Fig. 8)
- I. Einrichten des Austragsbands (Fig. 9)
- J. Den Harting-Anschluss des Bands anschließen (Fig. 10)

Die Maschine nach dem Auspacken auf Transportschäden überprüfen. Melden Sie uns bitte alle Fehler und Schäden.

5.2 Aufstellung:

Um eine hohe Leistung, eine lange Lebensdauer und einen zuverlässigen Betrieb sicherzustellen, sollte der Aufstellort wie folgt beschaffen sein:

Gut belüftet, vor direkter Sonneneinstrahlung geschützt, in ausreichender Entfernung zu Wärmequellen, mit ebenem, tragfähigen und schwingungsfreiem Boden.

5.3 Anschluss an die Stromversorgung:

WICHTIG: Die Erdung der Maschine ist vorgeschrieben.

Wir empfehlen den Schutz der Anlage durch eine Sicherung und einen FI-Schutzschalter.

Ihr Stromnetz zur Versorgung der Maschine muss folgendermaßen geschützt werden:

- Nordamerika: Schutz 15 A;
- Rest der Welt: Schutz 16 A.

Maschinen mit Stromrichter müssen zwingend über einen FI-Schutzschalter für 300 mA angeschlossen werden.

Hinweis: Probleme und Störungen, die sich durch abweichende Ausführung des Anschlusses ergeben, sind nicht durch die Garantie gedeckt.

Prüfen Sie vor dem Anschließen der Maschine an das Stromnetz unbedingt, ob die Stromversorgung für die Maschine geeignet ist (siehe Angaben auf dem Typenschild), um einen Motorausfall beim Einschalten zu vermeiden.

Dieses Gerät entspricht den Maschinenrichtlinien 2006/42, 2006/95, 2004/108 und ist daher mit dem CE-Zeichen gekennzeichnet.

Bitte beachten Sie die an der Maschine angebrachten Warnsymbole:



Warnsymbol zur Anzeige der Gefahr eines tödlichen Stromschlags. Die Maschine vor jedem Eingriff vom Stromnetz nehmen. Das Warnsymbol ist an der Rückseite der Maschine neben dem Netzanschluss sowie im Inneren der Maschine auf dem Schaltkasten angebracht. (Fig. 24)

Den Schaltplan der Maschine finden Sie auf der Rückseite der Schaltkastentür. (Fig. 25)

5.4 Inbetriebnahme:

Vor der Inbetriebnahme sicherstellen, dass sich keine Fremdkörper auf den beweglichen Teilen der Maschine befinden.

Zunächst (nach Überprüfung der elektrischen Übereinstimmung) sicherstellen, dass die Motoren in die richtige Richtung drehen.

- Die Nocke dreht im Uhrzeigersinn (andernfalls zwei Phasen am Stromrichter umkehren).
- Das Austragsband dreht in die richtige Richtung (andernfalls zwei Phasen am Motorenklemmenkasten umkehren).
- Die Funktionstüchtigkeit der Ölpumpe überprüfen. Diese muss durchgehend laufen (andernfalls das Impulspotentiometer auf 90 % setzen)
- Sicherstellen, dass die Ölanzeige auf dem Bedienelement nicht leuchtet (im anderen Fall 5 l Öl über den Öleinlaufstutzen nachfüllen).

Weitere Informationen zur Verwendung der Maschine erhalten Sie im Abschnitt „Bedienung“.

5.5 Gefahr:

Bei einer Gefahr für den Anwender oder die Maschine ist die Maschine über den Hauptschalter auszuschalten.

Nicht in die Nähe der Gehänge kommen, wenn diese bewegt werden.

Vor Wartungs- oder Instandsetzungsmaßnahmen den Netzstecker ziehen.

Wartungsmaßnahmen und der Austausch von Ersatzteilen dürfen nur durch einen zugelassenen Vertreter durchgeführt werden.

6 **BEDIENELEMENT UND SICHERHEITSVORRICHTUNG**

6.1 Bedienelement:

Ihre Maschine ist serienmäßig mit einem mechanischen Bedienpult ausgestattet (Fig. 2).

6.2 Einstellbereich:

Der Einstellbereich befindet sich am Bedienelement (Fig. 11, Nr. 18).

6.3 Arbeitsbereich:

Der Arbeitsbereich befindet sich am Austragsband (Fig. 11, Nr. 19).

6.4 Sicherheitseinrichtungen:

Diese Maschine ist mit folgenden Sicherheitseinrichtungen ausgestattet:

einem mechanischen Sicherheitsschloss (Fig. 1, Nr. 8), das den Betrieb der Maschine verhindert, wenn der Deckels des Trichters nicht ordnungsgemäß geschlossen ist.

7 **BEDIENUNG**

Die Maschine bei Tagesbeginn über den Hauptschalter einschalten (Fig. 1, Nr. 16)

Bedienung:

- A. Den Trichterdeckel (Fig. 12) öffnen.
- B. Den Innenbereich des Trichters mit einer Sprühdose oder einem mit Traubenkernöl getränkten Tuch schmieren (Fig. 12).
- C. Den Teig im Trichter (Fig. 13) verteilen.
- A. Den Trichterdeckel (Fig. 13) schließen.
- E. Das gewünschte Gewicht der Teiglinge über das Drehrad in der Maschinenfront einstellen (Fig. 14) *(eine Positionsanzeige befindet sich an den Seiten der Tasten)*
- F. Den Digitalzähler auf die gewünschte Anzahl von Teiglingen einstellen (Fig. 14).
- G. Ihre Geschwindigkeit (Taktung) 1, 2 oder 3 (Fig. 15) auswählen.
- H. Anschließend zum Auslösen des Zyklus auf die grüne Taste (Fig. 15) drücken.

Ein laufender Zyklus kann über die rote Taste unterbrochen werden. (Fig. 1, Nr. 12)

8.1 Täglich durch einen eingewiesenen Bediener:

- A. Den Auffangbehälter reinigen (Fig. 16).
- B. Das Austragsband abbürsten (Fig. 17).
- C. Mit einem geölten Tuch Teigrückstände aus dem Trichter entfernen, welche die Luftversorgung verhindern können (Fig. 18).
- D. Den Stand des Bemehlers (Fig. 19) überprüfen.
- E. Den Trichter reinigen (Fig. 20).
- D. Die Deckeldichtung mit einem geölten Tuch reinigen (Fig. 21).
- G. Den Abstreifer auf Höhe der Trommel mit einem geölten Tuch reinigen (Fig. 22).
- H. Über die Verschmutzungsanzeige (Fig. 23) die Verschmutzung des Ölfilters überprüfen.

8.2 Wöchentlich durch einen eingewiesenen Bediener:

Den Innenbereich der Maschine mit einem Tuch und einer weichen Bürste reinigen.
Die Dichtigkeit des Trichterdeckels überprüfen und gegebenenfalls mit einem Inbusschlüssel anpassen.

8.3 Jährlich durch einen zugelassenen Vertreter:

Die Spannung des Austragsbands überprüfen und mit einem Flachs Schlüssel anpassen.
Den Verschleiß des Kugellagers und der Kolbenrollen mit einem Schraubenzieher überprüfen.
Die Funktionstüchtigkeit der Ölpumpe überprüfen.
Die Funktionstüchtigkeit des Membranverdichters überprüfen (Wert von 0,3 bar am Druckmesser)
Einen Ölwechsel vornehmen
Die Kolbendichtungen (einmal jährlich oder alle 200.000 Zyklen) austauschen.

Hier bitte sicherstellen, dass Ihr zugelassener Vertreter diese Maßnahmen im Wartungsheft festhält, um Ihren Garantieanspruch von fünf Jahren zu erhalten.

9 ERSATZTEILE

Um Ersatzteile für Ihre Maschine zu bestellen, lassen Sie von Ihrem Vertreter anhand des Ersatzteilkatalogs des Herstellers prüfen, um welche Teile es sich genau handelt. Dazu immer die Maschinenummer übermitteln, die auf dem Typenschild steht. Ihr Vertreter bestellt das Ersatzteil dann bei JAC.

9.1 ERSATZTEILLISTE

TEILENUMMER	NEUES TEXTBLATT	MODELL
F3071100	BÜRSTE MEHLSTREUER	ALLE
F8003092	ABSTREIFKLINGE TROMMEL	ALLE
F8003098	ABSTREIFKLINGE KOLBEN	ALLE
F8003172	ABSTREIFKLINGE SCHUSSRINNE AUSGANG	ALLE
F8002035	LAUFROLLE KOLBEN	ALLE
F8002032	NOCKENROLLE	ALLE
F8002106	TRAUBENKERNÖL	ALLE
F8002101	KURZE SCHUSSRINNE AUSGANG	ALLE
F8002102	LANGE SCHUSSRINNE AUSGANG	ALLE
F8002117	ÖLFILTER	ALLE
F8002076	O-RING Ø74MM	ALLE
F8002124	LIPPENDICHTUNG Ø74MM	ALLE
F8002099	O-RING Ø95MM	ALLE
F8002125	LIPPENDICHTUNG Ø95MM	ALLE
F8002042	O-RING Ø109MM	ALLE
F8002126	LIPPENDICHTUNG Ø109MM	ALLE
F8002085	O-RING Ø119MM	ALLE
F8002127	LIPPENDICHTUNG Ø119MM	ALLE
F8002107	O-RING Ø131MM	ALLE
F8002128	LIPPENDICHTUNG Ø131MM	ALLE
F8002096	DICHTUNG DES DECKELS PE50	ALLE
F8002013	WÄZLAGER	ALLE

10 STÖRUNGEN UND FEHLER

VORSICHT: Vor allen Eingriffen an der Maschine ist die Maschine zwingend von der Stromversorgung zu trennen.

Problem	Fehlersuche
Die Maschine lässt sich nicht einschalten	Die Stromversorgung überprüfen. Den Trichterdeckel schließen.
Die Gewichte nicht uneinheitlich.	Den Betriebszustand überprüfen. Auf etwaige Luftleckagen (Deckel) oder eine Verschmutzung der Leitungen überprüfen. Den Wert von 0.3 bar am Druckmesser überprüfen Die Position überprüfen Die Dichtungen austauschen.



Bei Anhalten des Problems wenden Sie sich bitte an Ihren Servicetechniker.

11 FEHLERCODES

Am Stromrichter angezeigter Wert	Fehlerbeschreibung	Fehlerbehebung
LU	Spannungsabfall	Die Werte am Stromrichter überprüfen 06.03 06.04 07.00 07.01 07.02
OL	Überlast	
OL1	Überlast 1	
OL2	Überlast 2	



Bei Anhalten des Problems wenden Sie sich bitte an Ihren Servicetechniker.

12 LISTE DER ABGEBILDETEN TEILE UND FUNKTIONEN

Abbildung	Nummer	Bezeichnung
1	1	Band
	2	Bandspannvorrichtung
	3	Bedienelement
	4	Rolle mit Bremse
	5	Getriebemotor
	6	Anpassung Sicherungsscheibe Langwirkmaschine
	7	Mehlauffangbehälter
2	8	Arbeitsbereich
3	9	Not-Aus
	10	Einschalter ON/OFF
	11	Ingangsetzung
	12	Anhalten
4	13	Warnsymbol zur Anzeige der Gefahr eines tödlichen Stromschlags.
	14	Schaltschrank

1	VÓÓR DE INBEDRIJFSTELLING	42
2	GARANTIE	42
3	WAARSCHUWINGEN	43
4	TECHNISCHE EIGENSCHAPPEN	44
4.1	Technische eigenschappen	44
4.2	Materiaal dat rechtstreeks in contact komt met het deeg komen.	44
5	INSTALLATIE EN INBEDRIJFSTELLING	45
5.1	De machine uit de verpakking halen:	45
5.2	Plaatsing:	45
5.3	Elektrische aansluiting:	46
5.4	Inbedrijfstelling:	46
5.5	Gevaar:	47
6	BEDIENINGS- EN VEILIGHEIDSPANEEL	47
6.1	Bedieningspaneel:	47
6.2	Afstelzone:	47
6.3	Werkzone:	47
6.4	Veiligheidsvoorzieningen:	47
7	GEBRUIK	47
8	ONDERHOUD	48
8.1	Dagelijks door een opgeleide gebruiker	48
8.2	Wekelijks door een opgeleide gebruiker.	48
8.3	Jaarlijks door een erkende verdeler	48
9	VERBRUIKSGOEDEREN	49
9.1	Lijst met VERBRUIKSGOEDEREN	49
10	STORINGEN	50
11	FOUTCODES	50
12	LIJST MET ONDERDELEN OP DE AFBEELDINGEN	51

1 VÓÓR DE INBEDRIJFSTELLING

Bedankt dat u hebt gekozen voor een JAC-oplossing. Neem deze gebruikershandleiding grondig door voordat u deze machine installeert en in werking stelt. Zo kunt u uzelf beschermen en schade aan uw machine vermijden.

Deze handleiding verwijst naar diverse afbeeldingen zodat u de instructies beter kunt begrijpen. Deze afbeeldingen bevinden zich op het einde van de handleiding. Raadpleeg ze wanneer u de volgende symbolen tegenkomt (fig.X, n°Y).

Om nog jarenlang van uw machine te kunnen genieten, raden we u aan om de volgende adviezen na te leven:

- Doe een beroep op uw erkende verdeler voor de installatie, inbedrijfstelling en opvolging.
- Om te kunnen genieten van de garantie van vijf jaar (zie verder voor de voorwaarden), moet u bij de installatie van uw machine het onderhoudsboekje laten invullen door uw verdeler. Dit onderhoudsboekje bevindt zich aan de achterkant van uw machine.

2 GARANTIE



JAC biedt een garantie van vijf jaar op al zijn producten.

Deze garantie is geldig voor alle onderdelen van uw machine, waaronder de elektronische onderdelen, maar uitgezonderd de verbruiksgoederen. De garantie treedt in werking op de installatiedatum van het materiaal.

Onder de volgende beperkende voorwaarden:

- Het materiaal moet bij een erkende verdeler zijn aangekocht.
- De installatie moet door een erkende verdeler zijn uitgevoerd.
- Het materiaal moet worden gebruikt in overeenstemming met de aanwijzingen in de gebruikershandleiding en voor het doel waarvoor het werd geproduceerd.
- Het materiaal moet dagelijks worden onderhouden in overeenstemming met de aanwijzingen in de gebruikershandleiding.
- Ten minste één keer per jaar moet onderhoud worden uitgevoerd door de erkende verdeler en dit in overeenstemming met de onderhoudsspecificaties (onderhoud ten laste van de gebruiker).
- Alleen originele JAC-onderdelen mogen worden gebruikt.



Als er geen onderhoud wordt uitgevoerd door een erkende verdeler en/of het onderhoudsboekje niet correct wordt ingevuld, is de garantie beperkt tot één jaar.

Het volgende valt niet onder deze garantie:

- De vervanging van verbruiksgoederen (§9).
- Defecte stukken die door onze diensten niet worden erkend.
- Problemen ten gevolge van een abnormaal gebruik van het materiaal.
- Problemen doordat de installatie niet door een erkende verdeler is uitgevoerd.
- De onderdelen of problemen die het gevolg zijn van transportschade of een ongepaste behandeling.

Een reparatie en/of een vervanging van defecte onderdelen tijdens de garantieperiode verlengt deze garantie niet.

3 WAARSCHUWINGEN

Het is heel belangrijk dat deze gebruikershandleiding bij het apparaat wordt bewaard zodat ze later kan worden geraadpleegd. Als dit apparaat wordt verkocht of aan een andere persoon wordt overgedragen, zorg er dan voor dat de gebruikershandleiding wordt overhandigd zodat de gebruiker op de hoogte is van de werking ervan en van de daarin vermelde waarschuwingen.



Deze waarschuwingen worden gegeven voor uw veiligheid en die van anderen. We vragen u dan ook ze aandachtig te lezen vooraleer u het apparaat installeert en gebruikt.

Deze machine werd ontworpen om door bevoegde volwassenen te worden gebruikt. Zorg er dus voor dat kinderen de machine niet aanraken en niet als speelgoed beschouwen.

Deze machine is uitsluitend voorbehouden voor professioneel gebruik.

Het is gevaarlijk om de eigenschappen van deze machine te wijzigen of te proberen wijzigen.

Zorg er na de installatie van deze machine voor dat ze niet op het netsnoer staat.

Volg de meegeleverde gebruiksinstructies.

Deze machine moet worden bewaard en gebruikt in een ruimte die niet vochtig of warm wordt.

Deze machine moet voldoende verlicht zijn om het werk uit te voeren.

Deze machine heeft een geluidsniveau van minder dan 75 dB(A) conform de norm EN ISO 3744.

Deze machine mag slechts door één persoon tegelijkertijd worden gebruikt (behoudens tegenstelde instructies).



Haal altijd de stekker uit het stopcontact voordat u de buiten- of binnenkant van het apparaat schoonmaakt of onderhoud uitvoert.

Dit apparaat is zwaar. Neem alle veiligheidsmaatregelen tijdens het onderhoud.

4 TECHNISCHE EIGENSCHAPPEN

4.1 Technische eigenschappen

	Korte band	Lange band
Hoogte (mm)	1775	
Hoogte vulling trechter	1463	
Breedte (mm)	950	
Diepte (mm)	1348	1784
Capaciteit van de trechter (kg)	160	
Verpakking (mm)	1165 x1030 x 830	
Nettogewicht (kg)	500	
Nettogewicht + verpakking (kg)	90	
Motorvermogen (kW)	2,4	
Motortype	Driefasig	
220 V - 50 Hz (A)	12	
380 V - 50 Hz (A)	9,5	

	Ø74	Ø95	Ø109	Ø119	Ø131
Gewicht van deegklompen min./max. (g)	70 / 400	110 / 650	160 / 850	300 / 1000	400 / 1300

Tempo (stukken per uur)			
AUTONOME configuratie	960	1200	1400
Configuratie van PRO+	960	1200	1400
Configuratie van LPS	1200	1800	
Configuratie van PROLINE	960 > 1800		

Voor een perfecte werking moet het hydratatiegehalte minimaal 60% bedragen.

4.2 Materiaal dat rechtstreeks in contact komt met het deeg komen.

Trechter: TEFLON

Trommel: INOX

Zuiger: GIETSTAAL

Afvoerband: VILT

5.1 De machine uit de verpakking halen:

De machines worden uit onze ateliers op pallets, verankerd en met karton beschermd geleverd. U moet eerst en vooral de verpakking bekijken en elke transportschade onmiddellijk aan de koerier melden.

- A. Verwijder de kist.
- B. Haal de laterale omhullingen van de machine af om toegang te krijgen tot de vijzelschroeven (fig.3).
- C. Haal de machine van de pallet door de vier schroeven los te draaien die de machine vasthouden (fig.4).
- D. Haal de machine van de pallet. Doe dit met minstens twee personen zodat de machine niet met een harde schok op de grond terecht komt.
- E. Tijdens de plaatsing van de machine moeten de stutten worden geplaatst onder de vijzelschroef (fig.5).
- F. Plaats de trechter op de machine. Doe dit met ten minste twee personen (fig.6).
- G. Haal de klep weg zodat u toegang hebt tot de kraan van de trechter en de luchtslang kunt aansluiten tussen de kraan en de aansluiting die zich onder de manometer bevindt via de hoekgoot die aan de rand van de trechter zit (fig.7).
- H. Open het deksel van de trechter zodat u de veiligheidskabel kunt aansluiten op de veiligheidsschakelaar via de slang en de hoekgoot die aan de rand van de kuip zit (fig.8).
- I. Plaats de afvoerband (fig.9).
- J. Sluit de hartingstekker van de band aan (fig.10).

Na het uitpakken van uw machine moet u nakijken of ze tijdens het transport geen schade heeft opgelopen. Meld ons elke afwijking.

5.2 Plaatsing:

Voor uitstekende prestaties en betrouwbaarheid op lange termijn moet u een plaats kiezen die:

Goed verlucht is, niet blootgesteld is aan direct zonlicht en uit de buurt is van warmtebronnen, met een vlak, stevig en trillingsvrij oppervlak.

5.3 Elektrische aansluiting:

BELANGRIJK: Verplichte aarding.

Er wordt aangeraden om de installatie te beveiligen met een zekering en differentieelschakelaar.

Uw elektriciteitsinstallatie die stroom levert aan de machine moet als volgt worden beveiligd:

- Noord-Amerika: Beveiliging 15 A
- Rest van de wereld: Beveiliging 16 A

Machines die uitgerust zijn met een regelaar moeten worden aangesloten op een aftakdoos op een lijn die uitgerust is met een differentieelschakelaar van 300 mA.

Opmerking: Elk probleem dat te wijten is aan een andere soort aansluiting wordt niet gedekt door de garantie.

Voordat u uw machine op het net aansluit en om een storing van de motor bij het onder spanning zetten te vermijden, is het belangrijk dat u controleert of het elektriciteitsnet overeenstemt met de eigenschappen van de machine (zie het identificatieplaatje).

Dit apparaat is conform de machinerichtlijnen 2006/42, 2006/95, 2004/108 en draagt de CE-markering die hiervan getuigt.

Houd rekening met de veiligheidspictogrammen op de machine:



Pictogram dat wijst op gevaar voor elektrocutie. Trek de machine vóór elke interventie uit het stopcontact. Dat vindt u aan de achterkant van de machine in de buurt van het netsnoer en binnenin de machine op de schakelkast (fig.24).

U vindt het elektrische schema van de machine op de achterkant van de deur van de schakelkast (fig. 25).

5.4 Inbedrijfstelling:

Zorg er vóór de inbedrijfstelling voor dat er zich geen enkel storend voorwerp bevindt op de bewegende onderdelen van de machine.

Wees er eerst zeker van (na controle van de elektrische overeenstemming) dat de motoren in de juiste richting draaien. Daartoe is het volgende vereist:

- De as draait in wijzerzin (als dat niet zo is, keer dan de twee fasen ter hoogte van de regelaar om).
- De afvoerband draait in de juiste richting (als dat niet zo is, keer dan de twee fasen ter hoogte van de aansluitdoos van de motor om)
- Controleer de goede werking van de oliepompe. Deze moet continu werken (als dat niet zo is, stel dan de impulsiepotentiometer af op 90%).
- Controleer of het oliecontrolelampje op het bedieningspaneel brandt (als dat niet zo is, vul dan 5 l olie bij via de olievuldop).

Raadpleeg het hoofdstuk "Gebruik" voor informatie over het gebruik van de machine.

5.5 Gevaar:

Als er gevaar is voor de gebruiker of voor de machine, moet u de hoofdschakelaar gebruiken om de stroomtoevoer naar de machine te onderbreken.

Kom niet in de buurt van de rijskasten wanneer deze in beweging zijn.

Haal de stekker uit het stopcontact vooraleer u onderhoud uitvoert.

Elk onderhoud of vervanging van een onderdeel moet door een bevoegde verdeler worden uitgevoerd.

6 BEDIENINGS- EN VEILIGHEIDSPANEEL

6.1 Bedieningspaneel:

Uw machine is standaard uitgerust met een mechanisch bedieningspaneel (fig. 2).

6.2 Afstelzone:

De afstelzone bevindt zich ter hoogte van het bedieningspaneel van de machine (fig.11, n°18).

6.3 Werkzone:

De werkzone bevindt zich ter hoogte van de afvoerband van de machine (fig.11, n°19).

6.4 Veiligheidsvoorzieningen:

Deze machine is uitgerust met:

Een mechanische veiligheidsvergrendeling (fig.1 n°8) die verhindert dat de machine werkt als het deksel van de trechter niet correct gesloten is.

7 GEBRUIK

Zet de machine ovin het begin van de dag onder spanning met de hoofdschakelaar (fig.1, n°16)

Gebruiksprocedure

A. Open het deksel van de trechter (fig.12).

B. Smeer de binnenkant van de trechter met behulp van een spuitbus of met een in druivenpitolie gedrenkte doek (fig.12).

C. Plaats het deeg in de trechter (fig.13).

D. Sluit het deksel van de trechter (fig.13).

E. Stel het gewenste gewicht van de deegklompen in met het wiel aan de voorkant van de machine (fig.14).

(Een positieaanduider bevindt zich naast de knoppen.)

F. Stel de digitale teller in om het gewenste aantal deegklompen te bepalen (fig.14).

G. Selecteer de snelheid (tempo) uit 1,2 of 3 (fig.15).

H. Druk op de groene knop om de cyclus te starten (fig.15).

Met de rode knop kunt u een lopende cyclus stoppen (fig.1, n°12).

8.1 Dagelijks door een opgeleide gebruiker.

- A. Maak de afvalbak schoon(fig.16).
- B. Maak de afvoerband schoon met een borstel (fig.17).
- C. Haal met een in olie gedrenkte doek de deegresten weg die de luchtafvoer in de trechter kunnen blokkeren (fig.18).
- D. Controleer het peil van de bloemstrooier (fig.19).
- E. Maak de trechter schoon (fig.20).
- F. Maak de dekselverbinding met een in olie gedrenkte doek schoon (fig.21).
- G. Maak de schraper ter hoogte van de trommel schoon met een in olie gedrenkte doek (fig.22).
- H. Controleer of de oliefilter verstopt is via de vervuilingindicator (fig.23).

8.2 Wekelijks door een opgeleide gebruiker.

Maak de binnenkant van de machine schoon met een doek en een soepele borstel.
Controleer de dichtheid van het sluitdeksel van de trechter en pas deze, indien nodig, aan met een inbussleutel.

8.3 Jaarlijks door een erkende verdeler.

Controleer de spanning van de afvoerband en pas ze aan met een platte sleutel.
Controleer de slijtage van de aslager en de zuigerwielen met een schroevendraaier.
Controleer de goede werking van de oliepomp.
Controleer de goede werking van de membraancompressor (waarde van 0,3 bar op de manometer).
Voer de olie af.
Vervang de zuigerdichtingen (elk jaar of elke 200.000 cycli).

Controleer goed of uw erkende verdeler zijn interventie in uw onderhoudsboekje heeft genoteerd zodat u uw garantie van vijf jaar behoudt.

9 VERBRUIKSGOEDEREN

Ga bij de bestelling van een reserveonderdeel met uw verdeler na om welk stuk het gaat op basis van de reserveonderdelencatalogus van de fabrikant.

Geef altijd het machinenummer op zoals vermeld op het identificatieplaatje.

Uw verdeler voert de bestellingen uit bij JAC.

9.1 Lijst met VERBRUIKSGOEDEREN

REFERENTIE	NIEUWE OMSCHRIJVING	MODEL
F3071100	BORSTEL VAN BLOEMSTROOIER	ALLE
F8003092	TROMMEL BLADSCRAPPER	ALLE
F8003098	ZUIGER BLADSCRAPPER	ALLE
F8003172	BLADSCRAPPER AFVOERBAND	ALLE
F8002035	ZUIGERROL	ALLE
F8002032	ROLAS	ALLE
F8002106	DRUIVENPITTENOLIE	ALLE
F8002101	KORTE AFVOERBAND	ALLE
F8002102	LANGE AFVOERBAND	ALLE
F8002117	OLIEFILTER	ALLE
F8002076	AFDICHTINGSRING Ø 74 MM	ALLE
F8002124	OLIEKEERRING Ø 74 MM	ALLE
F8002099	AFDICHTINGSRING Ø 95 MM	ALLE
F8002125	OLIEKEERRING Ø 95 MM	ALLE
F8002042	AFDICHTINGSRING Ø 109 MM	ALLE
F8002126	OLIEKEERRING Ø 109 MM	ALLE
F8002085	AFDICHTINGSRING Ø 119 MM	ALLE
F8002127	OLIEKEERRING Ø 119 MM	ALLE
F8002107	AFDICHTINGSRING Ø 131 MM	ALLE
F8002128	OLIEKEERRING Ø 131 MM	ALLE
F8002096	DEKSELAFDICHTING PE50	ALLE
F8002013	ROLLAGER	ALLE

10 STORINGEN

OPGELET: Bij elke tussenkomst moet de machine verplicht worden uitgeschakeld.

Probleem	Controle
De machine start niet op	Controleer de algemene voeding. Sluit het deksel van de trechter.
De gewichten zijn niet gelijkmatig	Controleer de werkingstoestand. Controleer op eventuele luchtlekken (deksel) of verstopping van leidingen. Controleer of de manometer een waarde van 0,3 bar aangeeft. Controleer de positie. Vervang de dichtingen.



Als het probleem zich blijft voordoen, neem dan contact op met uw technicus.

11 FOUTCODES

code weergegeven op de regelaar	Beschrijving van het probleem	Actie
LU	Lage spanning	Controleer de instellingen van de regelaar 06.03 06.04 07.00 07.01 07.02
OL	Overbelasting	
OL1	Overbelasting 1	
OL2	Overbelasting 2	



Als het probleem zich blijft voordoen, neem dan contact op met uw technicus.

12 LIJST MET ONDERDELEN OP DE AFBEELDINGEN

Afbeelding	Nummer	Naam
1	1	Transportband
	2	Bandspanner
	3	Bedieningspaneel
	4	Wielje met rem
	5	Reductiemotor
	6	Haak voor aanpassing vormgever
	7	Opvangbak voor bloem
2	8	Werkzone
3	9	Noodstop
	10	Startknop AAN/UIT
	11	In werking stellen
	12	Stoppen
4	13	Pictogram dat wijst op gevaar voor elektrocutie
	14	Elektrische kast

1	ПЕРЕД ВВОДОМ В ЭКСПЛУАТАЦИЮ	54
2	ГАРАНТИЯ.....	54
3	ПРЕДУПРЕЖДЕНИЯ.....	55
4	ТЕХНИЧЕСКИЕ ХАРАКТЕРИСТИКИ	56
4.1	Технические характеристики.....	56
4.2	Подробности о материалах, находящихся в непосредственном контакте с тестом.	56
5	УСТАНОВКА И ВВОД В ЭКСПЛУАТАЦИЮ	57
5.1	Распаковка машины.....	57
5.2	Место установки	57
5.3	Электрическое подключение	58
5.4	Ввод в эксплуатацию	58
5.5	Опасность	59
6	ОРГАНЫ УПРАВЛЕНИЯ И ПРЕДОХРАНИТЕЛЬНЫЕ УСТРОЙСТВА	59
6.1	Органы управления.....	59
6.2	Зона регулировки.....	59
6.3	Рабочая зона.....	59
6.4	Предохранительные устройства	59
7	ЭКСПЛУАТАЦИЯ	59
8	ТЕХНИЧЕСКОЕ ОБСЛУЖИВАНИЕ.....	60
8.1	Ежедневное, выполняется пользователем, прошедшим подготовку.	60
8.2	Еженедельное, выполняется пользователем, прошедшим подготовку.	60
8.3	Ежегодное, выполняется аккредитованным специалистом.	60
9	РАСХОДНЫЕ МАТЕРИАЛЫ.....	61
9.1	Список РАСХОДНЫХ МАТЕРИАЛОВ	61
10	НЕПОЛАДКИ В РАБОТЕ	62
11	КОДЫ ОШИБОК	62
12	СПИСОК КОМПЛЕКТУЮЩИХ НА ИЗОБРАЖЕНИЯХ.....	63

1 ПЕРЕД ВВОДОМ В ЭКСПЛУАТАЦИЮ

Благодарим за то, что выбрали компанию JAC. Перед установкой машины и ее вводом в эксплуатацию обязательно прочтите настоящее руководство. Таким образом вы сможете защитить себя и избежать повреждений машины.

В настоящем руководстве содержатся ссылки на различные изображения, облегчающие понимание инструкций. Эти изображения находятся в конце руководства. Обращайтесь к ним, когда встретите в тексте обозначения следующего вида: (fig.X, n°Y).

Для полной удовлетворенности работой машины в будущем предлагаем ознакомиться с поданными ниже правилами.

- Для установки машины, ее ввода в эксплуатацию и контроля работы обращайтесь к аккредитованному специалисту.

- Чтобы на машину подействовала 5-летняя гарантия (см. необходимые условия далее), дистрибьютор должен заполнить журнал технического обслуживания при установке машины. Журнал технического обслуживания находится с тыльной части машины.

2 ГАРАНТИЯ



Компания JAC предоставляет 5-летнюю гарантию на всю свою продукцию.

Гарантия распространяется на все детали машины, в том числе электронные, кроме расходных материалов. Гарантия вступает в силу с даты установки оборудования.

Гарантия действует при соблюдении следующих ограничительных условий:

- приобретение оборудования у аккредитованного дистрибьютора;
- выполнение установки аккредитованным специалистом;
- использование оборудования в соответствии с указаниями в руководстве по эксплуатации и по назначению, предусмотренному при производстве;
- ежедневное обслуживание оборудования в соответствии с указаниями в руководстве по эксплуатации;
- выполнение технического обслуживания аккредитованным специалистом в соответствии с требованиями по техническому обслуживанию не реже одного раза в год (производится за счет пользователя);
- использование исключительно оригинальных деталей компании JAC.



При отсутствии контроля технического обслуживания со стороны аккредитованного специалиста и/или в случае неправильного ведения журнала технического обслуживания действие гарантии ограничивается одним годом.

Гарантия не распространяется:

- на замену расходных материалов (§9);
- на детали, признанные неисправными не нашей компанией;
- на проблемы, возникшие вследствие неправильной эксплуатации оборудования;

- на проблемы, возникшие вследствие установки машины не аккредитованным специалистом;
- на детали или проблемы, связанные с нанесением ущерба во время транспортировки или ненадлежащим обращением при погрузочно-разгрузочных работах.

Ремонт и/или замена неисправных деталей, выполненные в течение гарантийного периода, не могут послужить причиной продления данной гарантии.

3 ПРЕДУПРЕЖДЕНИЯ

Настоящее руководство следует сохранить для получения справочной информации при дальнейшей эксплуатации машины. В случае продажи или передачи машины другому лицу следует удостовериться, что руководство по эксплуатации передается вместе с ней, чтобы пользователь мог получить информацию о ее работе и связанных с ней предупреждениях.



Предупреждения изложены для обеспечения вашей безопасности и безопасности других лиц. Просим вас внимательно прочесть эти предупреждения перед установкой и эксплуатацией машины.

Машина разработана для использования совершеннолетними лицами с соответствующим разрешением. Поэтому нужно следить за тем, чтобы дети не прикасались к машине и не использовали ее в качестве игрушки.

Машина предназначена исключительно для использования в рабочих целях.

Опасно вносить изменения (и даже пытаться) в характеристики машины.

После установки машины убедитесь в том, что она не стоит на кабеле электроснабжения.

Соблюдайте данные инструкции по эксплуатации.

Машина должна храниться и использоваться в помещении, защищенном от сырости и жары.

Машина должна быть обеспечена достаточным освещением для выполнения работы.

Уровень шума машины ниже 75 дБ(А) согласно стандарту EN ISO 3744.

Машина не должна использоваться несколькими операторами параллельно (если не предписано иное).



Всегда отключайте машину от сети электропитания перед выполнением чистки внутренних/внешних поверхностей и операций по техническому обслуживанию.

Машина тяжелая. Принимайте все необходимые меры предосторожности при транспортировке и погрузочно-разгрузочных работах.

4 ТЕХНИЧЕСКИЕ ХАРАКТЕРИСТИКИ

4.1 Технические характеристики

	Короткая лента	Длинная лента
Высота (мм)	1775	
Высота наполнения бункера	1463	
Ширина (мм)	950	
Глубина (мм)	1348	1784
Вместимость бункера (кг)	160	
Упаковка (мм)	1165 x1030 x 830	
Вес нетто (кг)	500	
Вес нетто + упаковка (кг)	90	
Мощность мотора (кВт)	2.4	
Тип мотора	Трехфазный	
220 В, 50 Гц (А)	12	
380 В, 50 Гц (А)	9,5	

	Ø74	Ø95	Ø109	Ø119	Ø131
Вес тестовых заготовок мин./макс (г)	70/400	110/650	160/850	300/1000	400/1300

Темп производства (шт. в час)			
АВТОНОМНАЯ конфигурация	960	1200	1400
Конфигурация PRO+	960	1200	1400
Конфигурация LPS	1200	1800	
Конфигурация PROLINE	960 > 1800		

Для правильной работы коэффициент гидратации должен составлять не менее 60%.

4.2 Подробности о материалах, находящихся в непосредственном контакте с тестом.

Бункер: ТЕФЛОН

Барaban: НЕРЖ.

Поршень: ЛИТАЯ СТАЛЬ

Отводящая лента: ВОЙЛОК

5.1 Распаковка машины

Машины из наших цехов поставляются на поддонах, закрепленные ремнями и в защитной картонной коробке. Прежде всего следует осмотреть упаковку на предмет наличия повреждений, полученных во время транспортировки, и сообщить о них непосредственно экспедитору.

- A. Снимите ящик.
- B. Снимите боковые кожухи машины, чтобы получить доступ к винтам установочного домкрата. (fig.3)
- C. Открепите машину от поддона, открутив винты установочного домкрата, фиксирующие машину. (fig.4)
- D. Снимите машину с поддона. В этой операции должны участвовать не менее двух человек для обеспечения максимально плавного соприкосновения машины с полом.
- E. Во время установки машины следует подклинить винты установочного домкрата (fig.5).
- F. Установите бункер на машину. В этой операции должны участвовать не менее двух человек (fig.6).
- G. Снимите крышку, чтобы получить доступ к крану бункера и подключить воздушный шланг между краном и муфтой под манометром, пропустив его через желоб, идущий вдоль бункера (fig.7).
- H. Откройте крышку бункера, чтобы соединить с аварийным выключателем кабель предохранительного устройства, пропустив его через желоб, идущий вдоль кюветы. (fig.8)
- I. Установка отводящей ленты (fig.9).
- J. Подсоедините разъем «хартинг» ленты (fig.10).

После распаковки машины убедитесь, что она не подвергалась повреждениям во время транспортировки. Сообщайте нам о любых дефектах.

5.2 Место установки

Для обеспечения долгосрочной высокой производительности и надежности машины следует правильно выбрать место установки.

Оно должно быть хорошо проветриваемым, защищенным от воздействия прямых солнечных лучей, удаленным от источников тепла, с ровной и прочной поверхностью, не подвергающейся вибрации.

5.3 Электрическое подключение

ВАЖНО! Обязательно наличие заземления.

Рекомендуется защитить электрическую установку с помощью плавкого предохранителя и дифференциального автоматического выключателя.

Электрическая установка, обеспечивающая питание машины, должна быть защищена следующим образом:

- Северная Америка: защита 15 А;
- Остальные страны: защита 16 А.

Машины, оборудованные регулятором скорости, обязательно должны подключаться к разветвительной коробке на линии с дифференциальным автоматом 300 мА.

Примечание. Любые проблемы, возникшие в связи с иным видом подключения, не будут покрываться гарантией.

Перед подключением машины к электросети и во избежание выхода мотора из строя в момент подключения следует убедиться в соответствии электросети характеристикам машины (см. заводской щиток).

Машина соответствует директивам о безопасности машин и оборудования 2006/42, 2006/95, 2004/108 и имеет подтверждающую маркировку ЕС.

Ознакомьтесь с пиктограммами техники безопасности, имеющимися на машине.



Пиктограмма, предупреждающая об опасности поражения электрическим током. Отключайте машину перед выполнением любых работ. Пиктограмма находится сзади машины, рядом с кабелем питания и внутри машины на отсеке электрощитка. (fig. 24)

Электросхема машины находится на обратной стороне дверцы отсека электрощитка. (fig. 25)

5.4 Ввод в эксплуатацию

Перед вводом в эксплуатацию убедитесь в отсутствии любых посторонних предметов на подвижных частях машины.

После проверки соответствия электрических характеристик в первую очередь убедитесь в том, что моторы вращаются в правильном направлении:

- Кулачок вращается по часовой стрелке (если это не так, поменяйте местами 2 фазы на регуляторе скорости).
- Отводящая лента вращается в правильном направлении (если это не так, поменяйте местами 2 фазы на клеммной коробке мотора).

- Проверьте исправность масляного насоса: он должен работать непрерывно (если это не так, настройте импульсный потенциометр на 90%).
- Убедитесь, что индикатор масла на панели управления не светится (если он включен, долейте 5 л масла, вынув пробку из отверстия маслобака).

Для получения ответов на все вопросы, касающиеся эксплуатации машины, см. раздел «Эксплуатация».

5.5 Опасность

В случае возникновения опасности для пользователя или для машины следует отключить электропитание с помощью главного выключателя.

Не приближайтесь к люлькам, когда они находятся в движении.

Извлеките штекер из электрической розетки перед выполнением любых операций по техническому или периодическому обслуживанию.

Все операции по техническому обслуживанию или замене деталей должны осуществляться аккредитованным специалистом.

6 ОРГАНЫ УПРАВЛЕНИЯ И ПРЕДОХРАНИТЕЛЬНЫЕ УСТРОЙСТВА

6.1 Органы управления

Машина серийно оборудована механическим пультом управления (fig.2).

6.2 Зона регулировки

Зона регулировки находится на уровне пульта управления машины (fig.11, н°18).

6.3 Рабочая зона

Рабочая зона находится на уровне отводящей ленты машины (fig.11, н°19).

6.4 Предохранительные устройства

Оборудование на данной машине:

Механический предохранительный запор (fig.1 н°8), препятствующий работе машины, если крышка бункера закрыта неправильно.

7 ЭКСПЛУАТАЦИЯ

В начале рабочего дня машину следует включить с помощью главного выключателя. (fig.1, н°16)

Порядок эксплуатации

- Откройте крышку бункера (fig.12).
- Нанесите смазку с помощью баллончика или ветоши, смоченной в масле виноградных косточек, внутренние поверхности бункера (fig.12).
- Выложите тесто в бункер (fig.13).
- Закройте крышку бункера (fig.13).

Е. Отрегулируйте нужный вес тестозаготовок с помощью колесика на передней панели машины (fig.14).

(Указатель положения расположен рядом с кнопками.)

Ф. Отрегулируйте цифровой счетчик на нужное количество тестовых заготовок (fig.14).

Г. Выберите скорость (темп производства) 1, 2 или 3 (fig.15).

Н. Нажмите на зеленую кнопку запуска цикла (fig.15).

Остановить текущий цикл можно с помощью красной кнопки. (fig1, n°12)

8 ТЕХНИЧЕСКОЕ ОБСЛУЖИВАНИЕ

8.1 Ежедневное, выполняется пользователем, прошедшим подготовку.

А. Очистите бак для отходов (fig.16).

В. Очистите отводящую ленту щеткой (fig.17).

С. С помощью смоченной в масле ветоши удалите комочки теста, которые могут препятствовать поступлению воздуха в бункер (fig.18).

Д. Проверьте уровень посыпателя муки (fig.19).

Е. Очистите бункер (fig.20).

Ф. Очистите уплотнения крышки ветошью, смоченной в масле (fig.21).

Г. Очистите скребок возле барабана ветошью, смоченной в масле (fig.22).

Н. Проверьте засоренность масляного фильтра (индикатор засорения) (fig.23).

8.2 Еженедельное, выполняется пользователем, прошедшим подготовку.

Очистите машину изнутри ветошью и мягкой щеткой.

Проверьте герметичность и в случае необходимости приведите в порядок уплотнения крышки бункера с помощью шестигранного ключа.

8.3 Ежегодное, выполняется аккредитованным специалистом.

Проверьте и отрегулируйте натяжение отводящей ленты с помощью плоского ключа.

Проверьте степень износа подшипника кулачка и роликов поршня с помощью отвертки.

Проверьте исправность масляного насоса.

Проверьте исправность мембранного компрессора (значение 0,3 бар на манометре).

Слейте масло.

Замените уплотнители поршней (ежегодно или через 200 000 циклов).

Проверьте внесение аккредитованным специалистом записей о выполненной работе в журнал технического обслуживания для сохранения 5-летней гарантии.

9 РАСХОДНЫЕ МАТЕРИАЛЫ

При заказе запасной части проверьте вместе с аккредитованным специалистом, о какой детали идет речь, по каталогу запасных частей, выпускаемому производителем. Всегда уточняйте номер машины, указанный на заводском щитке. Заказ в компании JAC может разместить ваш аккредитованный специалист.

9.1 Список РАСХОДНЫХ МАТЕРИАЛОВ

ITEM CODE	NEW DESCRIPTION	MODEL
F3071100	FLOUR DISPENSER BRUSH	ALL
F8003092	DRUM SCRAPER BLADE	ALL
F8003098	PISTON SCRAPER BLADE	ALL
F8003172	OUTFEED BELT SCRAPER BLADE	ALL
F8002035	PISTON ROLLER	ALL
F8002032	CAM ROLLER	ALL
F8002106	GRAPESEED OIL	ALL
F8002101	SHORT OUTFEED BELT	ALL
F8002102	LONG OUTFEED BELT	ALL
F8002117	OIL FILTER	ALL
F8002076	O-RING, 74MM DIA.	ALL
F8002124	LIP SEAL, 74MM DIA.	ALL
F8002099	O-RING, 95MM DIA.	ALL
F8002125	LIP SEAL, 95MM DIA.	ALL
F8002042	O-RING, 109MM DIA.	ALL
F8002126	LIP SEAL, 109MM DIA.	ALL
F8002085	O-RING, 119MM DIA.	ALL
F8002127	LIP SEAL, 119MM DIA.	ALL
F8002107	O-RING, 131MM DIA.	ALL
F8002128	LIP SEAL, 131MM DIA.	ALL
F8002096	LID SEAL, PE50	ALL
F8002013	BEARING BLOCK	ALL

10 НЕПОЛАДКИ В РАБОТЕ

ВНИМАНИЕ! Перед выполнением любых ремонтных работ машина должна быть отключена от электроснабжения.

Проблема	Проверка
Машина не запускается	Проверьте общее электроснабжение Закройте крышку бункера
Неодинаковый вес тестовых заготовок	Проверить исправность работы Проверить наличие утечек воздуха (на крышке) или засоренность шлангов Проверить значение 0,3 бар на манометре Проверить положение Заменить прокладки



Если проблема не устраняется, обратитесь к вашему техническому специалисту.

11 КОДЫ ОШИБОК

код, отображающийся на регуляторе скорости	Описание проблемы	Действие
LU	Падение давления	Проверить параметры регулятора скорости 6:03 6:04 7:00 7:01 7:02
OL	Перегрузка	
OL1	Перегрузка 1	
OL2	Перегрузка 2	



Если проблема не устраняется, обратитесь к вашему техническому специалисту.

12 СПИСОК КОМПЛЕКТУЮЩИХ НА ИЗОБРАЖЕНИЯХ

Изображение	Номер	Название
1	1	Лента
	2	Натяжитель ленты
	3	Пульт управления
	4	Колесико с тормозом
	5	Моторедуктор
	6	Угловой профиль для настройки формовщика
	7	Бак для сбора муки
2	8	Рабочая зона
3	9	Аварийный останов
	10	Кнопка «ВКЛ./ВЫКЛ».
	11	Кнопка включения
	12	Кнопка выключения
4	13	Пиктограмма, предупреждающая об опасности поражения электрическим током.
	14	Отсек электрощитка

1	ANTES DE LA PUESTA EN SERVICIO.....	66
2	GARANTÍA	66
3	ADVERTENCIAS.....	67
4	CARACTERÍSTICAS TÉCNICAS.....	68
4.1	Características técnicas.....	68
4.2	Detalle de materiales en contacto directo con la masa.....	68
5	INSTALACIÓN Y PUESTA EN SERVICIO.....	69
5.1	Desembalaje de la máquina:.....	69
5.2	Ubicación:.....	69
5.3	Conexión eléctrica:.....	70
5.4	Puesta en servicio:.....	70
5.5	Peligro:.....	71
6	CUADRO DE CONTROL Y DE SEGURIDAD.....	71
6.1	Cuadro de control:.....	71
6.2	Área de ajustes:.....	71
6.3	Área de trabajo:.....	71
6.4	Cuadro de seguridad:.....	71
7	USO.....	71
8	LIMPIEZA.....	72
8.1	Diaria por un usuario formado.....	72
8.2	Semanal por un usuario formado.....	72
8.3	Anual por un agente autorizado.....	72
9	CONSUMIBLES.....	73
9.1	Lista de CONSUMIBLES.....	73
10	INCIDENTES DE FUNCIONAMIENTO	74
11	CÓDIGOS DE ERROR.....	74
12	LISTA DE COMPONENTES DE LAS FIGURAS.....	75

1 ANTES DE LA PUESTA EN SERVICIO

Gracias por elegir una solución JAC. Lea con atención este manual de uso antes de instalar y poner en servicio esta máquina. De esta forma, usted puede protegerse y evitar el deterioro de su máquina.

Este manual hace referencia a distintas figuras con el fin de facilitar la comprensión de las instrucciones. Estas figuras se encuentran al final del manual. Consúltelas cuando vea los siguientes símbolos: fig.X, n°Y.

Para que el funcionamiento de su máquina sea satisfactorio a lo largo de los próximos años, le invitamos a que lea los siguientes consejos:

- Solicite ayuda a su agente autorizado para la instalación, la puesta en servicio y el seguimiento.
- Para poder beneficiarse de la garantía de 5 años (consulte las condiciones recogidas a continuación), solicite a su distribuidor que complete la tarjeta de mantenimiento al instalar su máquina. Esta tarjeta de mantenimiento se encuentra en la parte trasera de su máquina.

2 GARANTÍA



JAC ofrece una garantía de 5 años en todos sus productos.

Esta garantía es válida para todas las piezas de su máquina, incluidas las electrónicas, excluyendo los consumibles. La garantía entra en vigor a partir de la fecha de instalación del material.

Con las siguientes condiciones restrictivas:

- El material debe haberse adquirido a un revendedor autorizado.
- La instalación deberá efectuarla un agente autorizado.
- El material debe utilizarse conforme a las indicaciones del manual de uso y para la finalidad para la que ha sido fabricado.
- El mantenimiento diario del material debe efectuarse conforme a las indicaciones del manual de uso.
- El agente autorizado debe hacer un seguimiento del mantenimiento conforme a las especificaciones de mantenimiento, como mínimo, una vez al año (mantenimiento a cargo del usuario).
- Deben utilizarse exclusivamente piezas originales JAC.



Si un agente autorizado no efectúa el seguimiento del mantenimiento y/o la tarjeta de mantenimiento no está cumplimentada correctamente, la garantía se limita a un año.

Esta garantía no cubre:

- La sustitución de consumibles (§9).
- Las piezas que nuestros servicios no reconozcan como defectuosas.
- Los problemas derivados de un uso anormal del material.
- Los problemas derivados de una instalación no efectuada por un agente autorizado.

- Las piezas o los problemas causados por daños en el transporte o por un mantenimiento inadecuado.

Una reparación y/o una sustitución de piezas defectuosas efectuadas durante el periodo de garantía no supondrá la prolongación de dicha garantía.

3 ADVERTENCIAS

Es muy importante conservar este manual de uso junto con el aparato para futuras consultas. Si este aparato se vende o se transfiere a otra persona, asegúrese de que se le entrega también el manual de uso para que el usuario pueda estar informado de su funcionamiento y de las advertencias que se recogen aquí.



Estas advertencias se dan por su seguridad y la de los demás. Le rogamos que las lea con atención antes de instalar y utilizar el aparato.

Esta máquina está diseñada para su uso por adultos autorizados. Asegúrese de que los niños no la toquen o que no la usen como un juguete.

Esta máquina está destinada únicamente a un uso profesional.

Es peligroso modificar o intentar modificar las características de esta máquina.

Después de instalar la máquina, asegúrese de que no aplasta el cable de alimentación.

Siga las instrucciones de uso.

Esta máquina debe almacenarse y utilizarse dentro de un local, protegida de la humedad y del calor.

Esta máquina debe estar suficientemente iluminada para efectuar el trabajo.

Esta máquina tiene un nivel sonoro inferior a 75 dB(A) según la norma EN ISO 3744.

Esta máquina debe utilizarla una sola persona a la vez (salvo indicación contraria).



Desconecte siempre la toma de corriente antes de proceder a la limpieza interior y exterior del aparato y a las operaciones de mantenimiento.

Este aparato es pesado. Tome todas las precauciones de seguridad durante su mantenimiento.

4 CARACTERÍSTICAS TÉCNICAS

4.1 Características técnicas

	Cinta corta	Cinta larga
Altura (mm)	1775	
Altura de llenado de la tolva	1463	
Anchura (mm)	950	
Profundidad (mm)	1348	1784
Capacidad de la tolva (kg)	160	
Embalaje (mm)	1165 x 1030 x 830	
Peso neto (kg)	500	
Peso neto + embalaje (kg)	90	
Potencia del motor (kW)	2.4	
Tipo de motor	Trifásico	
220v - 50Hz (A)	12	
380v - 50Hz (A)	9,5	

	Ø74	Ø95	Ø109	Ø119	Ø131
Peso de los pastones mín. / máx. (g)	70 / 400	110 / 650	160 / 850	300 / 1000	400 / 1300

Cadencia (piezas por hora)			
Configuración AUTÓNOMA	960	1200	1400
Configuración PRO+	960	1200	1400
Configuración LPS	1200	1800	
Configuración PROLINE	960 > 1800		

Para un funcionamiento perfecto, la tasa de hidratación debe de ser del 60 % como mínimo.

4.2 Detalle de materiales en contacto directo con la masa.

Tolva: TEFLON

Tambor: INOX

Pistón: ACERO COLADO

Cinta de salida: FIELTRO

5.1 Desembalaje de la máquina:

Las máquinas que salen de nuestros talleres se entregan en palés atados y protegidos con cartón. Antes de realizar cualquier acción, debe observarse el embalaje e informar al transportista de cualquier daño debido al transporte.

- A. Quite la caja.
- B. Quite las carcasas laterales de la máquina para tener acceso a los tornillos elevadores. (fig.3).
- C. Separe la máquina del palé desatornillando los tornillos elevadores que bloquean la máquina. (fig.4).
- D. Baje la máquina del palé. Procure hacer esta operación entre dos personas como mínimo para amortiguar al máximo el contacto con el suelo.
- E. Durante la colocación de la máquina, los calzos deben estar instalados bajo tornillos elevadores (fig.5).
- F. Coloque la tolva en la máquina. Procure hacer esta operación entre, al menos, dos personas (fig.6).
- G. Retire la tapa que permite acceder al grifo de la tolva para poder conectar el tubo de aire entre el grifo y el conector que se encuentra debajo del manómetro pasando por la escuadra que bordea la tolva (fig.7).
- H. Abra la tapa de la tolva para conectar el cable de seguridad de esta última al interruptor de seguridad pasando por el tubo y la escuadra que bordea la cuba. (fig.8).
- I. Instale la cinta de salida (fig.9).
- J. Conecte la toma harting de la cinta (fig.10).

Después de desembalar su máquina, compruebe que no ha sufrido daños durante el transporte. Infórmenos de cualquier anomalía.

5.2 Ubicación:

Para obtener un rendimiento excelente y una fiabilidad a largo plazo, elija una ubicación que esté:

Bien ventilada, protegida de los rayos directos del sol y alejada de fuentes de calor, con una superficie plana y robusta y sin vibraciones.

5.3 Conexión eléctrica:

IMPORTANTE: La toma de tierra es obligatoria.

Es aconsejable proteger la instalación con un fusible y un disyuntor diferencial.

La instalación eléctrica que suministra energía a la máquina debe estar protegida tal y como se indica a continuación:

- América del Norte: Protección 15 A.
- Resto del mundo: Protección 16 A.

Las máquinas equipadas con un variador deben estar conectadas obligatoriamente a una caja de derivación en una línea equipada con un diferencial de 300 mA.

Nota: La garantía no cubrirá cualquier problema ocasionado por una conexión de otro tipo.

Antes de conectar su máquina a la red y con el fin de evitar una avería del motor al encenderla, es importante comprobar la adecuación de la red de alimentación a las características de la máquina (consulte la placa informativa de la máquina).

Este aparato cumple con las directivas sobre máquinas 2006/42, 2006/95 y 2004/108 y lleva el marcado CE que lo certifica.

Consulte los pictogramas de seguridad que figuran en la máquina:



Pictograma que indica un riesgo de electrocución. Desconecte la máquina antes de hacer cualquier intervención. Lo encontrará en la parte trasera de la máquina, cerca del cable de alimentación y dentro de la máquina en la caja eléctrica. (fig. 24).

Encontrará el esquema eléctrico de la máquina en la parte trasera de la puerta de la caja eléctrica (fig. 25).

5.4 Puesta en servicio:

Antes de la puesta en servicio, asegúrese de que no queda ningún objeto sobrante en las partes en movimiento de la máquina.

En primer lugar, y después de comprobar que la toma de corriente se ajusta a las características eléctricas de la máquina, asegúrese de que los motores giran en el sentido correcto. Para ello, es necesario que:

- La leva gire en el sentido de las agujas del reloj (en caso contrario, invierta 2 fases a la altura del variador).
- La cinta de salida gire en el sentido correcto (en caso contrario, invierta 2 fases a la altura de la caja de bornes del motor).
- Compruebe que la bomba de aceite funciona correctamente. Esta debe funcionar continuamente (en caso contrario, ajuste el potenciómetro de impulso al 90 %).
- Compruebe que el indicador de aceite en el cuadro de control no está encendido (si es el caso, llene 5 litros de aceite mediante el botón de llenado de aceite).

Para utilizar la máquina, consulte el apartado «Uso».

5.5 Peligro:

En caso de peligro para el usuario o para la máquina, debe utilizar el interruptor general para cortar la alimentación de la máquina.

No se acerque a los distribuidores cuando estén en movimiento.

Quite el enchufe de la toma de corriente antes de efectuar cualquier operación de mantenimiento y de limpieza.

Cualquier operación de mantenimiento o de sustitución de piezas debe efectuarla un agente autorizado.

6 CUADRO DE CONTROL Y DE SEGURIDAD

6.1 Cuadro de control:

Su máquina está equipada de serie con un pupitre de control mecánico (fig.2).

6.2 Área de ajustes:

El área de ajustes está situada a la altura del pupitre de control de la máquina (fig.11, n°18)

6.3 Área de trabajo:

El área de trabajo está situada a la altura de la cinta de salida de la máquina (fig.11, n°19)

6.4 Cuadro de seguridad:

Esta máquina está equipada con:

Un bloqueo de seguridad mecánico (fig.1 n°8) que impide que la máquina funcione si la tapa de la tolva no está cerrada correctamente.

7 USO

Al principio del día, encienda la máquina usando el interruptor general (fig.1 n°16)

Procedimiento de uso

- A. Abra la tapa de la tolva (fig.12)
- B. Lubrique con ayuda de una bomba o de un paño empapado con aceite de pepita de uva el interior de la tolva (fig.12)
- C. Vierta la masa en la tolva (fig.13)
- D. Cierre la tapa de la tolva (fig.13)
- E. Ajuste el peso deseado de los pastones con ayuda del volante situado en la parte delantera de la máquina (fig.14)
(Hay un indicador de posición situado al lado de los botones)
- F. Ajuste el contador digital para fijar el número de pastones deseado (fig.14)
- G. Seleccione su velocidad (cadencia) 1, 2 o 3 (fig.15)
- H. Pulse el botón verde para iniciar el ciclo (fig.15)

El botón rojo permite detener un ciclo en curso (fig1, n°12)

8 LIMPIEZA

8.1 Diaria por un usuario formado.

- A. Limpie la bandeja de residuos (fig.16)
- B. Limpie la cinta de salida con un cepillo (fig.17)
- C. Retire los restos de masa que puedan obstruir la llegada de aire a la tolva con ayuda de un paño con aceite (fig.18)
- D. Compruebe el nivel de la harinadora (fig.19)
- E. Limpie la tolva (fig.20)
- F. Limpie la junta de la tapa con un paño con aceite (fig.21)
- G. Limpie el rascador a la altura del tambor con un paño con aceite (fig.22)
- H. Compruebe la obstrucción del filtro de aceite mediante el indicador de taponamiento (fig.23)

8.2 Semanal por un usuario formado.

Limpie el interior de la máquina con un paño y con un cepillo suave.
Compruebe y ajuste, si es necesario, la estanqueidad de la tapa de cierre de la tolva con una llave Allen.

8.3 Anual por un agente autorizado.

Compruebe y ajuste la tensión de la cinta de salida con una llave plana.
Compruebe el desgaste del rodamiento de la leva y de los rodillos de pistón con un destornillador.
Compruebe que la bomba de aceite funciona correctamente.
Compruebe que el compresor de membrana funciona correctamente (valor de 0,3 bares en el manómetro).
Vacíe el aceite.
Cambie las juntas de pistones (cada año o cada 200.000 ciclos).

Compruebe que su agente autorizado registre su intervención en su tarjeta de mantenimiento para conservar su garantía de 5 años.

9 CONSUMIBLES

Al pedir una pieza de recambio, compruebe con su agente autorizado de qué pieza se trata con base en el catálogo de piezas de recambio del fabricante.

Indique siempre el número de máquina tal y como se indica en la placa informativa.

Su agente efectuará el pedido a JAC.

9.1 Lista de CONSUMIBLES

REFERENCIA	NUEVA ETIQUETA	MODELO
F3071100	CEPILLO DE LA HARINADORA	TODAS
F8003092	CUCHILLA DEL RASCADOR DEL TAMBOR	TODAS
F8003098	CUCHILLA DEL RASCADOR DEL PISTÓN	TODAS
F8003172	CUCHILLA DEL RASCADOR DE GUÍA DE SALIDA	TODAS
F8002035	RODILLO DEL PISTÓN	TODAS
F8002032	RODILLO DE LA LEVA	TODAS
F8002106	ACEITE DE PEPITA DE UVA	TODAS
F8002101	GUÍA DE SALIDA CORTA	TODAS
F8002102	GUÍA DE SALIDA LARGA	TODAS
F8002117	FILTRO DE ACEITE	TODAS
F8002076	JUNTA TÓRICA Ø74 MM	TODAS
F8002124	JUNTA DEL BORDE Ø74 MM	TODAS
F8002099	JUNTA TÓRICA Ø95 MM	TODAS
F8002125	JUNTA DEL BORDE Ø95 MM	TODAS
F8002042	JUNTA TÓRICA Ø109 MM	TODAS
F8002126	JUNTA DEL BORDE Ø109 MM	TODAS
F8002085	JUNTA TÓRICA Ø119 MM	TODAS
F8002127	JUNTA DEL BORDE Ø119 MM	TODAS
F8002107	JUNTA TÓRICA Ø131 MM	TODAS
F8002128	JUNTA DEL BORDE Ø131 MM	TODAS
F8002096	JUNTA DE TAPA PE50	TODAS
F8002013	COJINETE DE RODAMIENTO	TODAS

10 INCIDENTES DE FUNCIONAMIENTO

ATENCIÓN: Para cualquier intervención, la máquina deberá estar desenchufada obligatoriamente.

Problema	Comprobación
La máquina no se pone en funcionamiento	Compruebe la alimentación general Cierre la tapa de la tolva
Los pesos no son regulares	Compruebe su estado de funcionamiento Compruebe eventuales fugas (tapa) de aire o que los tubos no están taponados Compruebe el valor de 0,3 bares en el manómetro Compruebe su posición Cambie las juntas



Si el problema persiste, póngase en contacto con su técnico.

11 CÓDIGOS DE ERROR

código mostrado en el variador	Descripción del problema	Acción
LU	Bajada de tensión	Comprobar los parámetros del variador 06.03 06.03 06.03 06.03 06.03
OL	Sobrecarga	
OL1	Sobrecarga 1	
OL2	Sobrecarga 2	



Si el problema persiste, póngase en contacto con su técnico.

12 LISTA DE COMPONENTES DE LAS FIGURAS

Figura	Número	Nombre
1	1	Cinta
	2	Tensor de cinta
	3	Pupitre de control
	4	Rueda de freno
	5	Motorreductor
	6	Escuadra de adaptación de la moldeadora
	7	Bandeja de recuperación de harina
2	8	Área de trabajo
3	9	Detención de emergencia
	10	Botón de activación ON/OFF
	11	Puesta en marcha
	12	Detención
4	13	Pictograma que indica un riesgo de electrocución
	14	Caja eléctrica

1	PRIMA DELLA MESSA IN FUNZIONE	78
2	GARANZIA	78
3	AVVERTENZE	79
4	CARATTERISTICHE TECNICHE	80
4.1	Caratteristiche tecniche	80
4.2	Dettaglio materiali in contatto con la pasta.....	80
5	INSTALLAZIONE E MESSA IN FUNZIONE	81
5.1	Disimballo della macchina:.....	81
5.2	Posizionamento:.....	81
5.3	Collegamento elettrico:	82
5.4	Messa in servizio:.....	82
5.5	Pericolo:.....	83
6	ORGANO DI COMANDO E DI SICUREZZA	83
6.1	Organo di comando:.....	83
6.2	Zona di regolazione:	83
6.3	Zona di lavoro:	83
6.4	Organi di sicurezza:.....	83
7	UTILIZZO	83
8	MANUTENZIONE	84
8.1	Quotidiana da parte di un utilizzatore addestrato.....	84
8.2	Settimanale da parte di un utilizzatore addestrato.....	84
8.3	Annuale da parte di un utilizzatore addestrato.....	84
9	COMPONENTI DI CONSUMO	85
9.1	Elenco dei COMPONENTI DI CONSUMO	85
10	INCIDENTI DI FUNZIONAMENTO	86
11	CODICI DI ERRORE	86
12	ELENCO DEI COMPONENTI INDICATI NELLE FIGURE	87

1 PRIMA DELLA MESSA IN FUNZIONE

Grazie per aver scelto una soluzione JAC. Si invita a leggere con attenzione queste note informative prima di procedere all'installazione e alla messa in servizio di questa macchina. Contengono informazioni su come proteggersi e come evitare il deterioramento della macchina.

Queste informazioni fanno riferimento a diverse figure, in modo da facilitare la comprensione delle istruzioni. Le figure si trovano al fondo delle informazioni. Si invita a farvi riferimento quando si incontrano i seguenti simboli (fig. X, n. Y).

Per una totale soddisfazione dall'utilizzo della macchina nei prossimi anni, si invita a tenere presenti i seguenti consigli:

- Farsi aiutare dal tecnico autorizzato per l'installazione, la messa in servizio e il follow-up.
- Per beneficiare della garanzia di 5 anni (vedere le condizioni riportate in seguito), far compilare dal distributore, il libretto di manutenzione al momento dell'installazione della macchina. Il libretto di manutenzione si trova nella parte posteriore della macchina.

2 GARANZIA



JAC offre una garanzia di 5 anni su tutti i suoi prodotti.

Questa garanzia è valida su tutte le parti della macchina, comprese quelle elettroniche, a parte i componenti di consumo. La garanzia entra in vigore a partire dalla data di installazione del materiale.

Secondo le seguenti condizioni restrittive:

- Materiale acquistato presso un rivenditore autorizzato.
- Installazione effettuata da un tecnico autorizzato.
- Utilizzo del materiale conformemente alle indicazioni sul modo di utilizzo e nel rispetto della finalità per la quale è stato fabbricato.
- Materiale quotidianamente mantenuto nel rispetto delle indicazioni delle modalità di utilizzo.
- Manutenzioni successive da parte del tecnico autorizzato conformemente alle specifiche di manutenzione con, al minimo, una manutenzione l'anno (manutenzione a carico dell'utente).
- L'utilizzo esclusivo di parti originali JAC.



Se non si eseguono interventi di manutenzione da parte di un tecnico autorizzato e/o il libretto di manutenzione non è correttamente completato, la garanzia si limita ad un anno.

Questa garanzia non copre:

- La sostituzione dei componenti di consumo (§9).
- Le parti non riconosciute difettose dai nostri servizi.
- I problemi derivanti da un utilizzo anomalo del materiale.
- I problemi derivanti da un'installazione non effettuata da un tecnico autorizzato.

- Le parti o i problemi derivanti da un danno di trasporto o da una manutenzione inadeguata.

Una riparazione e/o una sostituzione di parti difettose effettuate durante il periodo di garanzia non producono l'effetto di prolungare detta garanzia.

3 AVVERTENZE

È molto importante che le istruzioni per l'utilizzo siano conservate con l'apparecchio per ogni consultazione futura. Se questo macchinario deve essere venduto o trasferito ad un'altra persona, accertarsi che le istruzioni per l'utilizzo siano consegnate all'utente destinatario in modo che possa essere informato sul funzionamento e sui messaggi di avvertenza ad esso riferiti.



Tali avvertenze sono fornite per la vostra sicurezza e per quella altrui. Si prega di leggerle con attenzione prima di installare e utilizzare il macchinario.

Questa macchina è stata progettata per essere utilizzata da adulti autorizzati. Accertarsi quindi che i bambini non le si avvicinino e che non la utilizzino come un giocattolo.

Questa macchina è destinata unicamente ad un uso professionale.

È pericoloso modificare o provare a modificare le caratteristiche di questa macchina.

Accertarsi dopo averla installata, che non appoggi sul cavo di alimentazione.

Seguire le istruzioni fornite per l'utilizzo.

Questa macchina deve essere sistemata e utilizzata all'interno di un locale, al riparo da umidità e calore.

Deve essere illuminata a sufficienza per poter funzionare.

La macchina produce un livello di rumore inferiore a 75 dB(A), conforme alla norma EN ISO 3744.

La macchina deve essere utilizzata da una sola persona per volta (salvo prescrizioni contrarie).



Staccare sempre il cavo di alimentazione prima di procedere alla pulizia interna/esterna del macchinario e alle operazioni di manutenzione.

Questo macchinario è pesante. Adottare tutte le precauzioni di sicurezza al momento della manutenzione.

4 CARATTERISTICHE TECNICHE

4.1 Caratteristiche tecniche

	Nastro corto	Nastro lungo
Altezza (mm)	1775	
Altezza riempimento tramoggia	1463	
Larghezza (mm)	950	
Profondità (mm)	1348	1784
Capacità della tramoggia (kg)	160	
Imballaggio (mm)	1165 x 1030 x 830	
Peso netto (kg)	500	
Peso NETTO + imballaggio (kg)	90	
Potenza motore (kW)	2.4	
Tipo di motore	Trifase	
220v - 50Hz (A)	12	
380v - 50Hz (A)	9,5	

	Ø74	Ø95	Ø109	Ø119	Ø131
Peso delle forme mini / maxi (gr)	70 / 400	110 / 650	160 / 850	300 / 1000	400 / 1300

Ritmo (pezzo/ora)			
Configurazione AUTONOME	960	1200	1400
Configurazione PRO+	960	1200	1400
Configurazione LPS	1200	1800	
Configurazione PROLINE	960 > 1800		

Per un funzionamento perfetto, il tasso di idratazione deve essere almeno del 60%

4.2 Dettaglio materiali in contatto con la pasta.

Tramoggia: TEFLON

Tamburo: INOX

Pistone: GHISA DI ACCIAIO

Nastro di uscita: FELTRO

5.1 Disimballo della macchina:

Le macchine sono consegnate, franco fabbrica, su pallet, legate con cinghie e protette con pannelli di cartone. Prima di tutto, occorre esaminare l'imballaggio e ogni danno dovuto al trasporto deve essere dichiarato direttamente all'addetto alla consegna.

- A. Eliminare la cassa.
- B. Togliere le protezioni laterali della macchina per guadagnare accesso al martinetto a vite. (fig. 3)
- C. Staccare la macchina dal pallet svitando le viti del martinetto che bloccano la macchina. (fig. 4)
- D. Far scendere la macchina dal pallet. Accertarsi di essere almeno in due per questa operazione per ammortizzare al meglio il contatto con il terreno.
- E. Nella messa in posizione della macchina, le zeppe devono essere posizionate sotto il martinetto a vite (fig. 5)
- F. Mettere in posizione la tramoggia sulla macchina. Almeno due persone sono necessarie per compiere questa operazione (fig. 6).
- G. Estrarre il coperchio che consente di accedere al rubinetto della tramoggia al fine di raccordare il tubo dell'aria tra il rubinetto e il raccordo che si trova sotto il manometro passando dalla modanatura lungo la tramoggia (fig. 7).
- H. Aprire il coperchio della tramoggia in modo da raccordare il cavo di sicurezza di questa all'interruttore di sicurezza passando dal tubo e dalla modanatura lungo la vasca (fig. 8).
- I. Messa in posizione del nastro di uscita (fig. 9).
- J. Raccordare la presa harting del nastro (fig. 10).

Dopo il disimballo della macchina, verificare che non abbia subito danni durante il trasporto. Segnalare ogni anomalia.

5.2 Posizionamento:

Per ottenere performance eccellenti e affidabilità a lungo termine, scegliere una posizione:

Ben ventilata, al riparo dai raggi solari diretti e lontano da fonti di calore, con una superficie piana, robusta e priva di vibrazioni.

5.3 Collegamento elettrico:

IMPORTANTE: Messa a terra obbligatoria.

Si consiglia di proteggere l'impianto con un fusibile e un salvavita.

L'impianto elettrico che alimenta la macchina deve essere protetto secondo quanto indicato qui di seguito:

- Nord America: Protezione 15 A;

- Resto del mondo: Protezione 16 A.

Le macchine dotate di variatore, devono necessariamente essere collegate ad una scatola di derivazione su di una linea dotata di salvavita da 300 mA.

Nota: Ogni problema derivante da un altro tipo di collegamento non sarà preso in considerazione ai fini della garanzia.

Prima di collegare la macchina alla rete e onde evitare una dismissione del motore all'avvio, è importante verificare la compatibilità della rete di alimentazione con le caratteristiche della macchina (vedere la relativa targa segnaletica).

Questo apparecchio è conforme alle direttive macchine 2006/42, 2006/95, 2004/108 e reca la marcatura CE che attesta detta conformità.

Si invita a prendere visione della segnaletica di sicurezza che figura sulla macchina:



Segnale che indica un rischio di folgorazione. Scollegare il cavo di alimentazione prima di qualsiasi intervento sulla macchina. Si trova nella parte posteriore della macchina vicino al cavo di alimentazione e all'interno della macchina sul quadro elettrico. (fig. 24)

Sul retro della porta del quadro elettrico si trova lo schema elettrico della macchina. (fig. 25)

5.4 Messa in servizio:

Prima della messa in servizio, accertarsi che non vi siano oggetti estranei sulle parti in movimento della macchina.

Accertarsi innanzitutto (dopo aver verificato le connessioni elettriche) che i motori girino nel senso corretto e tal fine occorre che:

- La camma giri in senso orario (altrimenti invertire 2 fasi a livello del variatore).
- Il nastro di uscita giri nel senso giusto (altrimenti invertire 2 fasi a livello della morsettiere del motore).
- Verificare il buon funzionamento della pompa olio, che deve funzionare ininterrottamente (altrimenti regolare il potenziometro di impulsi su 90%).
- Verificare che la spia dell'olio sul pannello di comando non sia accesa (se è accesa, effettuare un riempimento di 5L d'olio attraverso il bocchettone di riempimento dell'olio).

Per l'utilizzo della macchina, fare riferimento al capitolo "Utilizzo".

5.5 Pericolo:

In caso di pericolo per l'utente o per la macchina, utilizzare l'interruttore generale per interrompere l'alimentazione della macchina.

Non avvicinarsi ai ripiani a bilanciere quando sono in movimento.

Estrarre la scheda della presa elettrica prima di ogni operazione di manutenzione o di assistenza.

Ogni operazione di manutenzione o sostituzione delle parti deve essere effettuata da un tecnico autorizzato.

6 **ORGANO DI COMANDO E DI SICUREZZA**

6.1 Organo di comando:

La macchina è dotata di serie di un quadro di comando meccanico (fig. 2).

6.2 Zona di regolazione:

La zona di regolazione si trova a livello del pannello di comando della macchina (fig. 11, n. 18).

6.3 Zona di lavoro:

La zona di lavoro si trova a livello del nastro di uscita della macchina (fig. 11, n. 19).

6.4 Organi di sicurezza:

Questa macchina è dotata:

Di una chiusura meccanica di sicurezza (fig. 1 n. 8) che impedisce alla macchina di funzionare se il coperchio della tramoggia non è chiuso correttamente.

7 **UTILIZZO**

All'inizio della giornata, alimentare la macchina tramite l'interruttore generale.
(fig. 3, n. 16)

Procedura di utilizzo

A. Aprire il coperchio della tramoggia (fig. 12).

B. Lubrificare con una bomboletta o con un panno imbevuto di olio di vinaccioli l'interno della tramoggia (fig. 12).

C. Versare la pasta nella tramoggia (fig.13).

D. Chiudere il coperchio della tramoggia (fig. 13).

E. Regolare il peso degli impasti desiderato con la manopola situata sulla parte anteriore della macchina (fig. 14).

(Un indicatore di posizione si trova a fianco dei pulsanti.)

F. Regolare il contatore digitale per stabilire il numero di impasti desiderato (fig. 14).

G. Selezionare la velocità (ritmo) 1, 2 o 3 (fig. 15).

H. Premere il pulsante verde per avviare il ciclo (fig. 15).

H. Il pulsante rosso consente di fermare un ciclo in corso (fig. 1, n. 12).

8.1 Quotidiana da parte di un utilizzatore addestrato.

- A. Pulire il cassetto delle briciole (fig. 16).
- B. Pulire il nastro di uscita con una spazzola (fig. 17).
- C. Eliminare i residui di pasta che possono ostruire l'arrivo dell'aria nella tramoggia mediante un panno oliato (fig. 18).
- C. Verificare il livello dell'infarinatore (fig. 19).
- E. Pulire la tramoggia (fig. 20).
- D. Pulire il giunto del coperchio con un panno oliato (fig. 21).
- D. Pulire il raschiatore a livello del tamburo con un panno oliato (fig. 22).
- H. Verificare l'intasamento del filtro olio tramite l'indicatore apposito (fig. 23).

8.2 Settimanale da parte di un utilizzatore addestrato.

Pulire l'interno della macchina con un panno e una spazzola morbida.

Verificare e regolare se occorre la tenuta del coperchio di chiusura della tramoggia con una chiave a brugola.

8.3 Annuale da parte di un utilizzatore addestrato.

Verificare e regolare la tensione del nastro di uscita mediante una chiave piatta.

Verificare l'uscita del cuscinetto di camma e dei rulli del pistone con un cacciavite.

Verificare il corretto funzionamento della pompa dell'olio.

Verificare il buon funzionamento del compressore a membrana (valore di 0,3 bar sul manometro).

Cambio dell'olio.

Cambiare i giunti dei pistoni (ogni anno o ogni 200.000 cicli).

Verificare attentamente che il tecnico autorizzato registri l'intervento sul libretto di manutenzione al fine di mantenere la garanzia di 5 anni.

9 COMPONENTI DI CONSUMO

Al momento dell'ordine di parti di ricambio, verificare con il tecnico autorizzato di quale parte si tratta in base al catalogo delle parti di ricambio emesso dal fabbricante.

Precisare sempre il codice della macchina indicato sulla targa segnaletica.

Il tecnico effettua gli ordini presso JAC.

9.1 Elenco dei COMPONENTI DI CONSUMO

RIFERIMENTO	NUOVA DESCRIZIONE	MODELLO
F3071100	SPAZZOLA INFARINATORE	TUTTE
F8003092	LAMA RASCHIATORE TAMBURO	TUTTE
F8003098	LAMA RASCHIATORE PISTONE	TUTTE
F8003172	LAMA RASCHIATORE CURSORE USCITA	TUTTE
F8002035	RULLO PISTONE	TUTTE
F8002032	RULLO CAMMA	TUTTE
F8002106	OLIO DI VINACCIOLI	TUTTE
F8002101	CURSORE D'USCITA CORTO	TUTTE
F8002102	CURSORE D'USCITA LUNGO	TUTTE
F8002117	FILTRO A OLIO	TUTTE
F8002076	GIUNTO TORICO Ø74 MM	TUTTE
F8002124	GUARNIZIONE A LABBRO Ø74 MM	TUTTE
F8002099	GIUNTO TORICO Ø95 MM	TUTTE
F8002125	GUARNIZIONE A LABBRO Ø95 MM	TUTTE
F8002042	GIUNTO TORICO Ø109 MM	TUTTE
F8002126	GUARNIZIONE A LABBRO Ø109 MM	TUTTE
F8002085	GIUNTO TORICO Ø119 MM	TUTTE
F8002127	GUARNIZIONE A LABBRO Ø119 MM	TUTTE
F8002107	GIUNTO TORICO Ø131 MM	TUTTE
F8002128	GUARNIZIONE A LABBRO Ø131 MM	TUTTE
F8002096	GUARNIZIONE DEL COPERCHIO PE50	TUTTE
F8002013	SUPPORTO CON CUSCINETTO	TUTTE

10 INCIDENTI DI FUNZIONAMENTO

ATTENZIONE: Per ogni intervento, la macchina deve obbligatoriamente essere scollegata dall'alimentazione.

Problema	Verifica
La macchina non si mette in moto	Verificare l'alimentazione generale. Chiudere il coperchio della tramoggia.
I pesi non sono regolari	Verificare lo stato di funzionamento. Verificare le eventuali perdite (coperchio) d'aria o l'intasamento dei tubi. Verificare il valore di 0,3 bar a livello del manometro. Verificarne la posizione. Sostituire i giunti.



Se il problema persiste, contattare il proprio tecnico.

11 CODICI DI ERRORE

Codice visualizzato sul variatore	Descrizione del problema	Intervento
LU	Calo di tensione	Verificare i parametri del variatore 06:03 06:04 07:00 07:01 07:02
OL	Sovraccarico	
OL1	Sovraccarico 1	
OL2	Sovraccarico 2	



Se il problema persiste, contattare il proprio tecnico.

12 ELENCO DEI COMPONENTI INDICATI NELLE FIGURE

Figura	Numero	Nome
1	1	Nastro
	2	Tendinastro
	3	Quadro comandi
	4	Ruota con freno
	5	Motoriduttore
	6	Squadra adattamento formatrice
	7	Cassetto di recupero della farina
2	8	Zona di lavoro
3	9	Arresto d'emergenza
	10	Pulsante di messa in funzione ON/OFF
	11	Avvio
	12	Arresto
4	13	Segnale che indica un rischio di folgorazione
	14	Quadro elettrico

90	قبل التشغيل	1
90	الضمان	2
91	تنبيهات	3
92	المواصفات الفنية	4
92	4.1 المواصفات الفنية	
92	4.2 تفاصيل الخامات الملامسة بشكل مباشر للعجين	
93	التركيب والتشغيل	5
93	5.1 فك تغليف الآلة:	
93	5.2 الموضوع:	
94	5.3 التوصيل الكهربى:	
94	5.4 التشغيل:	
95	5.5 خطر:	
95	6 جهاز التحكم والأمان	
95	6.1 جهاز التحكم:	
95	6.2 منطقة الضبط:	
95	6.3 منطقة عمل:	
95	6.4 أجهزة الأمان:	
95	7 الاستخدام	
96	8 الصيانة	
96	8.1 يومية بواسطة مستخدم مُدرّب	
96	8.2 أسبوعية بواسطة مستخدم مُدرّب	
96	8.3 سنوية بمعرفة وكيل معتمد	
97	9 قطع المستهلكات	
97	9.1 قائمة بالمستهلكات	
98	10 الأحداث العارضة أثناء التشغيل	
98	11 رموز الخطأ	
99	12 قائمة بالمكونات الموجودة في الأشكال	

نشكركم لاختياركم حلول JAC. تأكد من قراءة دليل الاستخدام هذا قبل تركيب وتشغيل هذه الآلة. يمكنك أن تحمي نفسك وتتجنب هكذا أن تتلف الآلة.

يشير هذا الدليل إلى أشكال مختلفة من أجل تسهيل فهم التعليمات. هذه الأشكال موجودة في نهاية الدليل. يُرجى الرجوع إليها ما إن ترى الرموز التالية (شكل كذا، رقم كذا).

من أجل أن تكون راضيًا تمامًا عن أداء هذه الآلة خلال السنوات القادمة، ندعوك إلى الاطلاع على النصائح التالية:

- استعن بوكيل معتمد من أجل التركيب والتشغيل والمتابعة.

- من أجل الاستفادة من الضمان ومدته 5 سنوات (انظر الشروط المذكورة بعد)، قم بواسطة الموزع، باستكمال دفتر الصيانة أثناء تركيب الآلة. يوجد دفتر الصيانة خلف الآلة.

2 الضمان

تقدم شركة JAC ضمانًا على كل منتجاتها مدته 5 سنوات.



يسري هذا الضمان على كل قطع الآلة، بما فيها القطع الإلكترونية، دون المستهلكات. يسري الضمان من تاريخ تركيب المعدة.

بحسب الشروط المقيدة التالية:

- تم شراء المعدة من موزع معتمد؛
- تم التركيب بمعرفة وكيل معتمد؛
- استخدام المعدة وفقًا لتعليمات دليل الاستخدام وفي الغرض التي صنعتت من أجل؛
- يتم صيانة المعدة يوميًا وفقًا لإرشادات دليل الاستخدام؛
- يتابع الصيانة الوكيل المعتمد وفقًا لشروط الصيانة، مع إجراء الصيانة مرة في العام، على الأقل (الصيانة على حساب المستخدم).
- الاستخدام الحصري لقطع الغيار الأصلية من JAC.



إذا لم يكن يوجد صيانة من وكيل معتمد و/أو أن دفتر الصيانة غير مكتمل بشكل صحيح، تقتصر فترة الضمان على عام واحدة.

علمًا بأن الضمان لا يشمل:

- استبدال المستهلكات (فقرة 9)؛
- قطع الغيار التي لم يقر قسم الخدمة الفنية بأنها تالفة؛
- المشاكل الناجمة عن الاستخدام غير السليم للمعدة؛
- المشاكل الناجمة عن تركيب لم يتم بمعرفة وكيل معتمد؛
- قطع الغيار أو المشاكل الناجمة عن تلف أثناء النقل أو المناولة غير المناسبة.

ليس من شأن الإصلاح و/أو الاستبدال لقطع الغيار التالفة الذي يتم خلال مدة الضمان أن يمدد هذا الضمان.

من المهم جدًا حفظ دليل الاستخدام هذا مع الجهاز للاطلاع عليه في المستقبل. إذا كان سيتم بيع أو نقل هذا الجهاز إلى شخص آخر، تأكد أن يتم إعطاء دليل الاستخدام هذا بحيث يستطيع المستخدم معرفة تشغيله والتنبيهات المتعلقة به.



تم إعطاء هذه التنبيهات حرصاً على سلامتك وعلى سلامة الآخرين. برجاء قراءتها بانتباه قبل تركيب واستخدام الجهاز.
تم تصميم هذه الآلة لكي يستخدمها أشخاص بالغين مسموح لهم باستخدامها. يرجى ألا يلمسها الأطفال أو أن يستخدموها كلعبة.
هذه الآلة مخصصة حصرياً للاستخدام المهني.

من الخطر تعديل أو محاولة تعديل مواصفات هذه الآلة.

بعد تركيب الآلة، تأكد أنها لا تستند على كابل كهرباء.

اتبع التعليمات المعطاة من أجل الاستخدام.

يجب تخزين واستخدام هذه الآلة داخل مكان، بعيداً عن الرطوبة والحرارة.

يجب أن يكون هناك إضاءة كافية لهذه الآلة للقيام بالعمل.

مستوى صوت هذه الآلة أقل من 75 ديسيبل وفقاً للمعيار EN ISO 3744.

يجب أن يستخدم هذه الآلة شخص واحد في الوقت الواحد (ما لم يوجد تعليمات مخالفة).



افصل دائماً التيار الكهربائي قبل القيام بالتنظيف الداخلي/الخارجي للجهاز وقبل عمليات الصيانة.

هذا الجهاز ثقيل الوزن. اتخذ كل احتياطات الأمان أثناء مناولته.

4 المواصفات الفنية

4.1 المواصفات الفنية

بُساط قصير	بُساط طويل	
	1775	الارتفاع (مم)
	1463	ارتفاع امتلاء القادوس
	950	العرض (مم)
1784	1348	العق (مم)
	160	سعة القادوس (كجم)
	830 × 1030 × 1165	الحزم (مم)
	500	الوزن الصافي (كجم)
	90	الوزن الصافي + عبوة التغليف (كجم)
	2.4	قوة الموتور (كيلو واط)
	ثلاثي الأطوار (3 فازة)	نوع الموتور
	12	220 فولت - 50 هرتز (A)
	9.5	380 فولت - 50 هرتز (A)

فُطر 131	فُطر 119	فُطر 109	فُطر 95	فُطر 74	
1300 / 400	1000 / 300	850 / 160	650 / 110	400 / 70	وزن قطع المعجين حد أدنى / حد أقصى (جم)

المعدل (قطعة في الساعة)			
1400	1200	960	تهينة AUTONOME
1400	1200	960	تهينة PRO+
	1800	1200	تهينة LPS
		1800 < 960	تهينة PROLINE

من أجل تشغيل مثالي، يجب أن تكون نسبة الرطوبة 60% على الأقل

4.2 تفاصيل الخامات الملامسة بشكل مباشر للعجين.

قادوس: الناقلون
الأسطوانة فولاذ مقاوم للصدأ
المكبس: حديد صلب
بساط الإخراج: أباد

5.1 فك تغليف الآلة:

تُباع الآلات، عند خروجها من ورشنا، على ألواح، ومربوطة بأشرطة ومحمية بورق الكرتون. قبل القيام بأي شيء، يجب فحص العبوة وإبلاغ شركة التوصيل مباشرة بأي تلف ناتج عن النقل.

A. اسحب الصندوق.

B. اسحب الأحواض الجانبية للآلة من أجل الوصول إلى براغي أسطوانة الباب. (fig.3)

C. أفصل الآلة من على اللوح بأن تقوم بفك براغي أسطوانة الباب التي تثبت الآلة. (fig.4)

D. أنزل الآلة من على اللوح. أحرص على أن يقوم شخصان على الأقل بهذا الأمر من أجل تخفيف التلامس مع الأرض بشكل أفضل.

E. أثناء تركيب الآلة، يجب تركيب الأسناد أسفل برغي أسطوانة الباب. (fig.5)

F. ركب القادوس على الآلة. احرص على عمل هذا بالاستعانة بشخصين على الأقل. (fig.6)

G. اسحب الغطاء الذي يتيح الوصول إلى صنبور القادوس من أجل التمكن من توصيل خرطوم الهواء بين الصنبور والوصلة الموجودة أسفل المانومتر مروراً بالزاوية الحديدية التي تحاذي القادوس. (fig.7)

H. افتح غطاء القادوس بحيث يمكن توصيل كابل الأمان الخاص بالقادوس على مفتاح الأمان مروراً بالأنبوب والزاوية الحديدية التي تحاذي الحوض. (fig.8)

A. تركيب بُسَاط الإخراج (fig.9)

Y. توصيل مقيس harting الخاص بالبُسَاط (fig.10)

بعد إخراج الآلة من الكرتون، تحقق أنها لم تتعرض للتلف أثناء النقل. وأبلغنا بأي عطب.

5.2 الموضوع:

للحصول على أداء ممتاز وفعالية على المدى الطويل، اختر موضع:

جيد التهوية، بعيداً عن أشعة الشمس المباشرة وبعيداً عن مصادر الحرارة مع سطح مسنن وقوي وخالي من الاهتزازات.

5.3 التوصليل الكهربى:

هام: توصيل الطرف الأرضى الزامى.
يُنصح بحماية التمديدات الكهربائية بمنصهر وقاطع تيار تفاضلى.

يجب حماية التمديدات الكهربائية التى تُغذى الآلة كما هو مُبين أدناه:
- أمريكا الشمالية: حماية 15 أمبير؛

بقية دول العالم: حماية 16 أمبير.
بالنسبة للآلات المجهزة بمتغير كهربائى، فيجب توصيله على غلبة التفريغ على خط مجهز بقاطع تيار تفاضلى 300 ملي أمبير.

ملحوظة: أى مشكلة ناجمة عن التوصليل بشكل آخر لن يشملها الضمان.

قبل توصيل الآلة على شبكة الكهرباء ومن أجل تجنب وقف تشغيل الموتور عند توصيله بالكهرباء، من المهم التحقق من توافق شبكة الكهرباء مع مواصفات الآلة (انظر لوحة البيانات لهذه الآلة).

يتوافق هذا الجهاز مع التعليمات الخاصة بالآلات 42/2006 و 95/2006 و 108/2004 ويحمل علامة CE التى تشهد بذلك.

يرجى الاطلاع على الصور التوضيحية المتعلقة بالأمان الموجودة على الآلة:

صورة توضيحية تُشير إلى خطر الصعق بالكهرباء. يُرجى فصل الكهرباء عن الآلة قبل أى إصلاح لها. سوف تجدها خلف الآلة بالقرب من كابل التغذية وداخل الآلة على الصندوق الكهربى. (fig. 24)



سوف تجد الرسم التخطيطى الكهربى للآلة على ظهر باب الصندوق الكهربى. (fig. 25)

5.4 التشغيل:

قبل التشغيل، تأكد من عدم وجود أى شيء دخيل على الأجزاء المتحركة للآلة.

تأكد أولاً (بعد التحقق من التوافق الكهربى) أن المواثير تدور فى الاتجاه الصحيح، وللتحقق من ذلك يجب أن:

- تدور الكامة فى اتجاه عقارب الساعة (وإلا فقم بقلب 2 فإزة من المتغير الكهربائى)
- يدور بىساط الإخراج فى الاتجاه الصحيح (وإلا فقم بقلب 2 فإزة من صندوق أسلاك الموتور)
- تحقق من التشغيل الجيد لمضخة الزيت، يجب أن تعمل هذه المضخة بشكل متواصل (وإلا فقم بضبط مقياس جهد الدفع على 90%)
- تحقق أن لمبة بيان الزيت على لوحة التحكم غير مضاءة (إذا كان الحال كذلك، فقم بملء 5 لتر زيت عن طريق فتحة ملء الزيت)

لاستخدام الآلة، راجع فصل "الاستخدام".

5.5 خطر:

في حالة وجود خطر على المستخدم أو على الآلة، يجب عليك أن تستخدم مفتاح القطع العمومي لفصل التيار الكهربائي عن الآلة. لا تقترب من صواني التآرجح عندما تتحرك.

اسحب القابض من المقبس الكهربائي قبل القيام بأية عملية صيانة أو فحص.

أي عملية صيانة أو استبدال قطعة غيار يجب أن تتم بواسطة وكيل معتمد.

6 جهاز التحكم والأمان

6.1 جهاز التحكم:

الآلة مجهزة على التوالي بلوحة أزرار ميكانيكية (fig. 2).

6.2 منطقة الضبط:

توجد منطقة الضبط على مستوى لوحة التحكم في الآلة (fig.11, n°18).

6.3 منطقة عمل:

توجد منطقة العمل على مستوى بُساط الإخراج في الآلة (fig.11, n°19).

6.4 أجهزة الأمان:

هذه الآلة مجهزة بـ:

قفل أمان ميكانيكي (fig.1 n°8) الذي يمنع الآلة من العمل إذا لم يكن غطاء القادوس مغلقًا جيدًا.

7 الاستخدام

في بداية اليوم، وصل الآلة بالكهرباء باستخدام مفتاح القطع العمومي (fig.1 n°16)

خطوات الاستخدام

- أ. افتح غطاء القادوس (fig.12)
- ب. قم بالتزليق باستخدام مضخة أو قطعة قماش مبللة بزيت بذور داخل القادوس (fig.12)
- ج. صب العجين في القادوس (fig.13)
- د. أغلق غطاء القادوس (fig.13)
- هـ. اضبط وزن قطع العجين المطلوب باستخدام القرص الموجود أمام الآلة (fig.14) (هناك مؤشر للأوضاع بجانب الأزرار)
- و. اضبط العداد الرقمي من أجل تحديد عدد قطع العجين المطلوبة (fig.14)
- ز. اختر السرعة (المعدل) 1 أو 2 أو 3 (fig.15)
- ح. اضغط على الزر الأخضر لبدء الدورة (fig.15)

يتيح الزر الأحمر وقف دورة العمل الجارية. (fig.1.n°12)

8.1 يومية بواسطة مستخدم مُدرب.

- أ. قم بتنظيف وعاء القايا (fig.16)
- ب. قم بتنظيف بُساط الإخراج باستخدام فرشاة (fig.17)
- ج. اسحب رواسب العجين التي يمكن أن تسد وصول الهواء إلى القادوس وذلك باستخدام قطعة قماش مبللة بالزيت (fig.18)
- د. تحقق من مستوى منفضة الدقيق (fig.19)
- هـ. قم بتنظيف القادوس (fig.20)
- و. قم بتنظيف جوان الغطاء باستخدام قطعة قماش مبللة بالزيت (fig.21)
- ز. قم بتنظيف قشاطر الأسطوانة باستخدام قطعة قماش مبللة بالزيت (fig.22)
- ح. تحقق من اتساح فلتر الزيت عن طريق مؤشر الانسداد (fig.23)

8.2 أسبوعية بواسطة مستخدم مُدرب.

تنظيف داخل الآلة باستخدام قطعة قماش وفرشاة مرنة
تحقق من إحكام غطاء غلق القادوس واضبطه إذا لزم الأمر باستخدام مفتاح ألن.

8.3 سنوية بمعرفة وكيل معتمد.

- تحقق من شد بُساط الإخراج واضبطه باستخدام مفتاح مسطح
- تحقق من تآكل محمل دوران الكامرة ومحمل دوران الأكر الخاصة بالمكبس باستخدام مفك براغي
- تحقق من التشغيل الجيد لمضخة الزيت
- تحقق من التشغيل الجيد للمكبس ذو الغشاء (قيمة 0.3 بار باستخدام مقياس الضغط)
- فك بتفريغ الزيت
- قم بتغيير جوانات المكابس (كل عام أو كل 200000 دورة)
- تأكد من أن الوكيل المعتمد يقوم بتسجيل زيارته في دفتر الصيانة من أجل الحفاظ على ضمان الـ 5 سنوات.

أثناء طلب قطعة غيار، تأكد مع الوكيل المعتمد بشأن القطعة المطلوبة على أساس كتالوج قطع الغيار الذي أصدره الصانع. حدد دائماً رقم الآلة كما هو مبين على لوحة البيانات. ويقوم الوكيل بعمل الطلبات لدى شركة JAC.

9.1 قائمة بالمستهلكات

النموذج	التوصيف الجدي	رمز الصنف
ALL	FLOUR DISPENSER BRUSH	F3071100
ALL	DRUM SCRAPER BLADE	F8003092
ALL	PISTON SCRAPER BLADE	F8003098
ALL	OUTFEED BELT SCRAPER BLADE	F8003172
ALL	PISTON ROLLER	F8002035
ALL	CAM ROLLER	F8002032
ALL	GRAPSEED OIL	F8002106
ALL	SHORT OUTFEED BELT	F8002101
ALL	LONG OUTFEED BELT	F8002102
ALL	OIL FILTER	F8002117
ALL	O-RING, 74MM DIA.	F8002076
ALL	LIP SEAL, 74MM DIA.	F8002124
ALL	O-RING, 95MM DIA.	F8002099
ALL	LIP SEAL, 95MM DIA.	F8002125
ALL	O-RING, 109MM DIA.	F8002042
ALL	LIP SEAL, 109MM DIA.	F8002126
ALL	O-RING, 119MM DIA.	F8002085
ALL	LIP SEAL, 119MM DIA.	F8002127
ALL	O-RING, 131MM DIA.	F8002107
ALL	LIP SEAL, 131MM DIA.	F8002128
ALL	LID SEAL, PE50	F8002096
ALL	BEARING BLOCK	F8002013

10 الأحداث العارضة أثناء التشغيل

انتبه: قبل القيام بأية إصلاحات، يجب فصل التيار عن الآلة.

المشكلة	التحقق
الآلة لا تعمل	تحقق من توصيل الكهرياء العمومي أغلق غطاء القادوس
الأوزان غير متساوية	تحقق من حالة التشغيل تحقق من التسرب المحتمل (الغطاء) للهواء أو اتساح الأنابيب تحقق من قيمة الـ 0.3 بار باستخدام مقياس الضغط تحقق من موضعها قم بتغيير الجوانات

إذا استمرت المشكلة بعد ذلك، يرجى الاتصال بالفني.



11 رموز الخطأ

الرمز المعروض على المُغيّر الكهربائي	وصف المشكلة	التصرف
LU	انخفاض الشد	تحقق من معايير المُغيّر الكهربائي
OL	حمولة زائدة	06.03
		06.04
OL1	حمولة زائدة 1	07.00
		07.01
OL2	حمولة زائدة 2	07.02

إذا استمرت المشكلة بعد ذلك، يرجى الاتصال بالفني.



12 قائمة بالمكونات الموجودة في الأشكال

شكل	الرقم	الاسم
1	1	بُساط
	2	شداد البساط (آلة شد)
	3	لوحة تحكم
	4	عجلة بفرملة
	5	مُخفض سرعة الموتور
	6	زاوية قائمة لموانة آلة التشكيل
	7	وعاء استعادة الدقيق
2	8	منطقة عمل
3	9	إيقاف الطوارئ
	10	زر تشغيل ON/OFF
	11	تشغيل
	12	إيقاف
4	13	صورة توضيحية تُشير إلى خطر الصعق بالكهرباء.
	14	علبة الكهرباء

fig.1

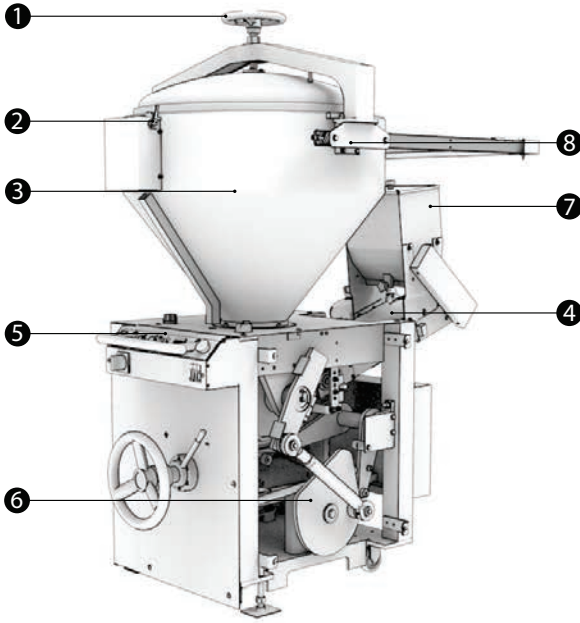


fig.2

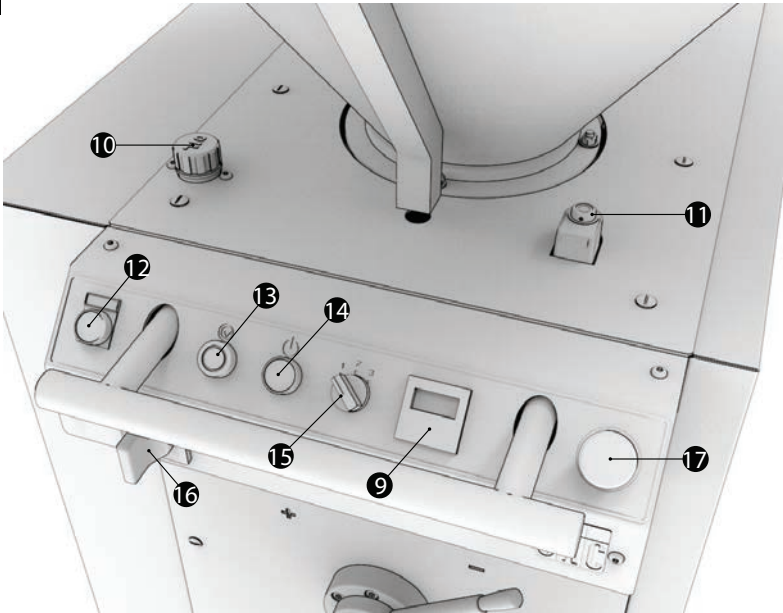


fig.3

B

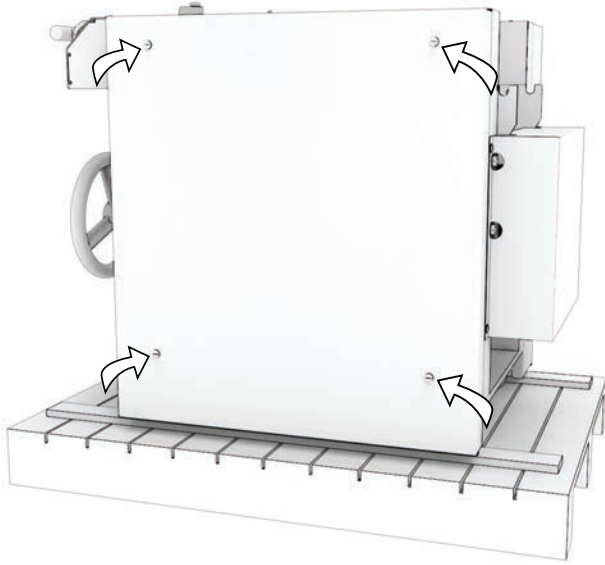


fig.4

C

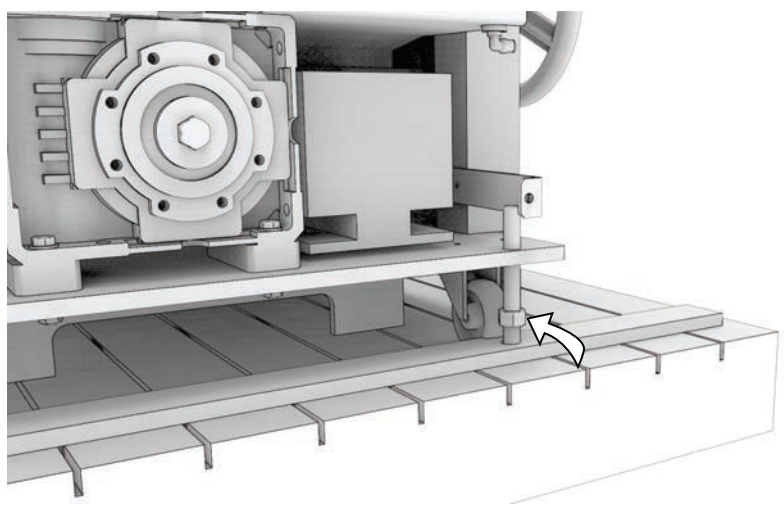


fig.5

E

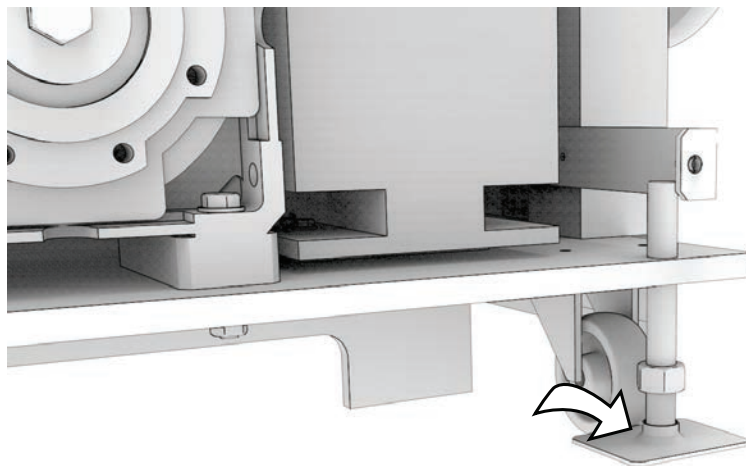


fig.6

F



fig.7

G

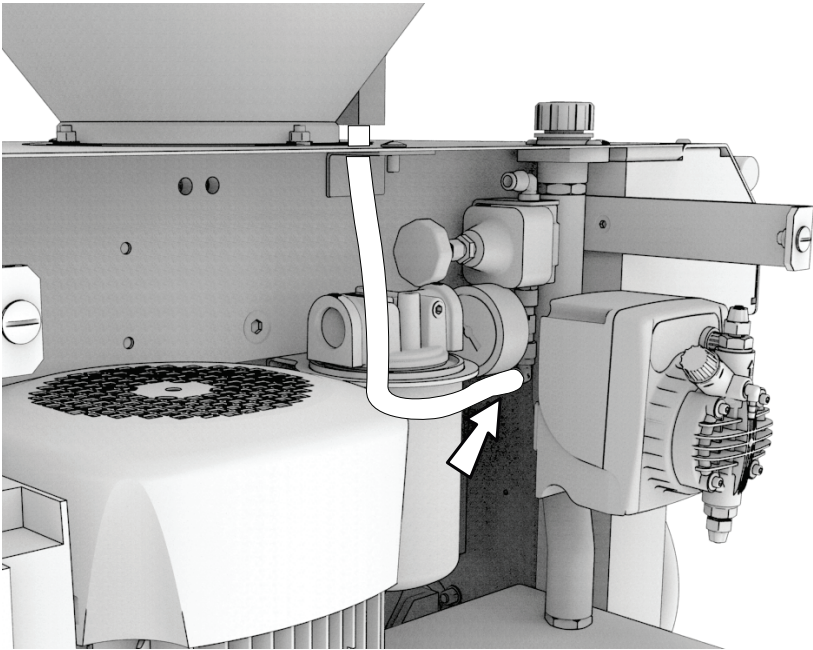
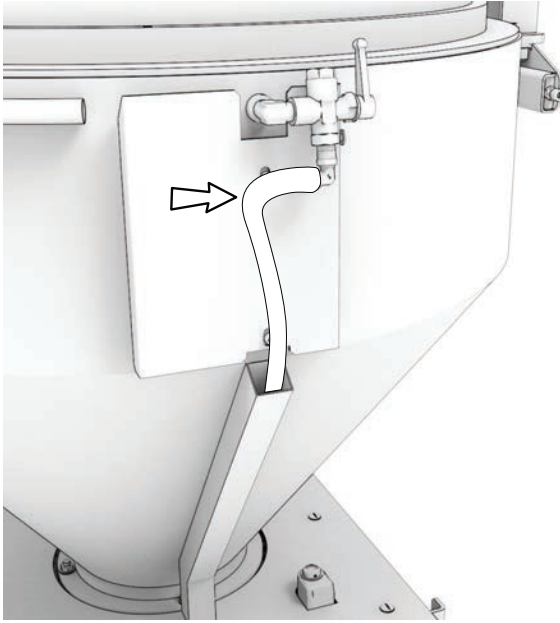


fig.8

H

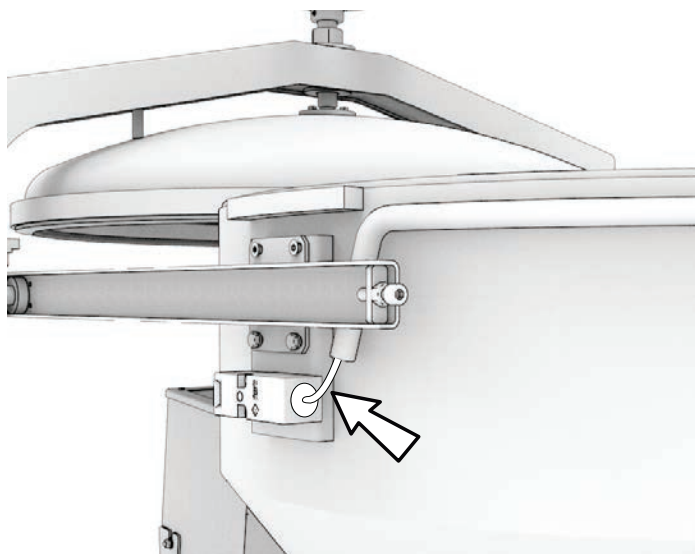


fig.9

I

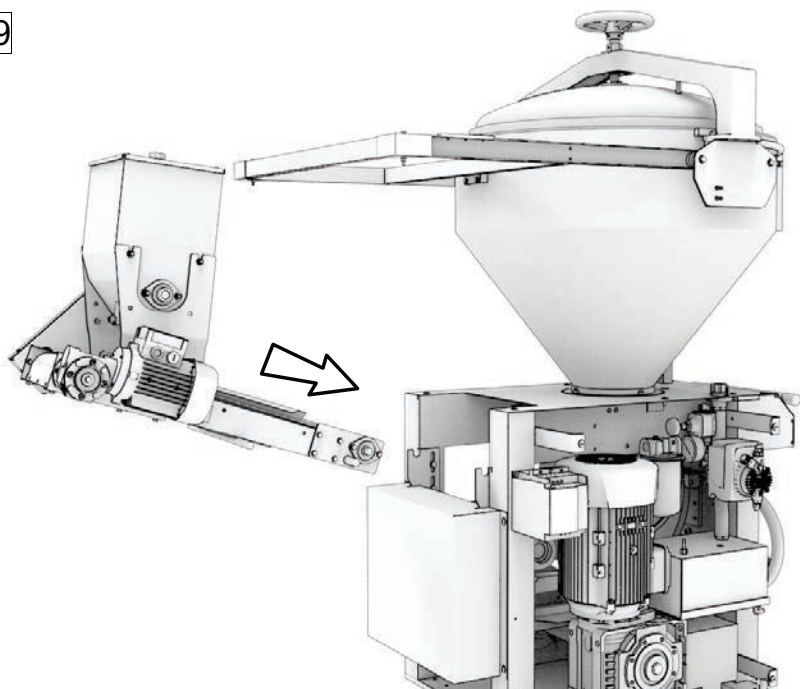


fig.10

J

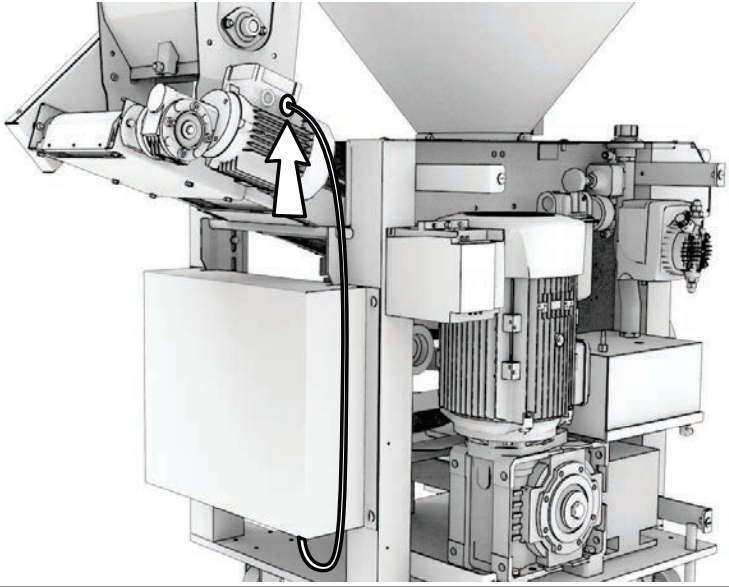


fig.11

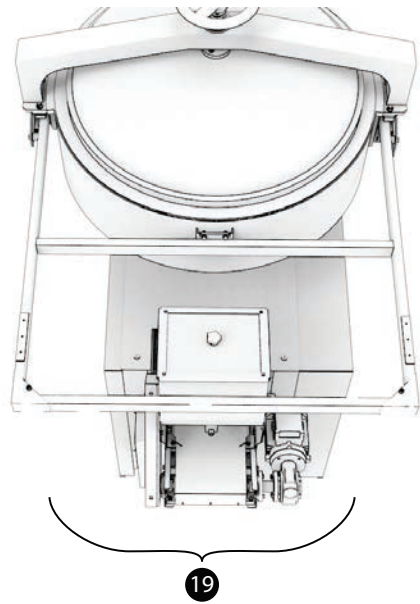
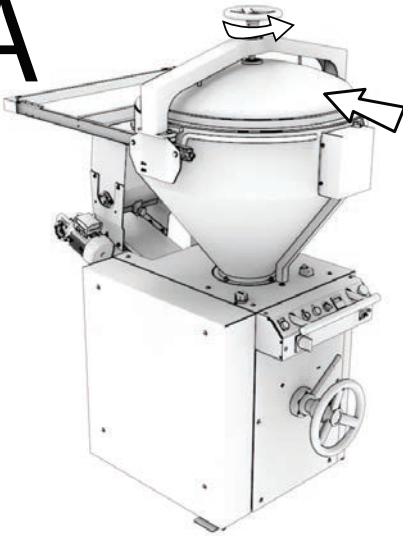


fig.12

A



B

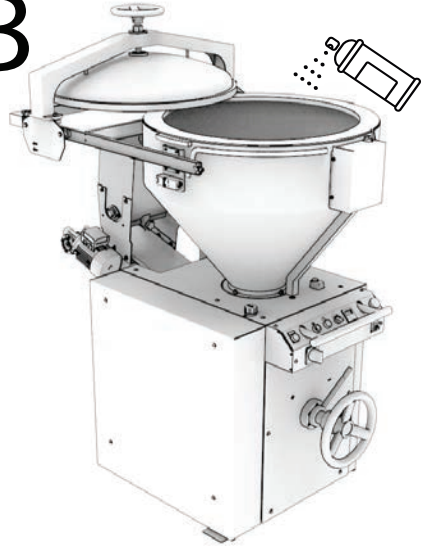


fig.13

C



D

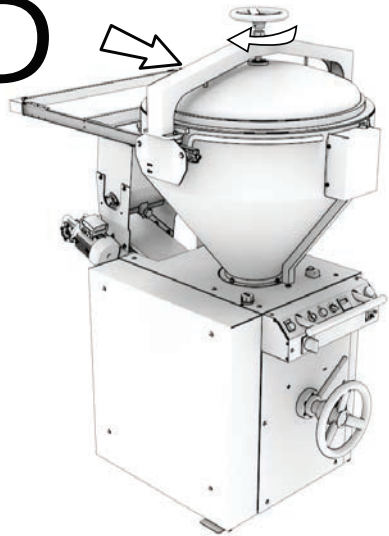
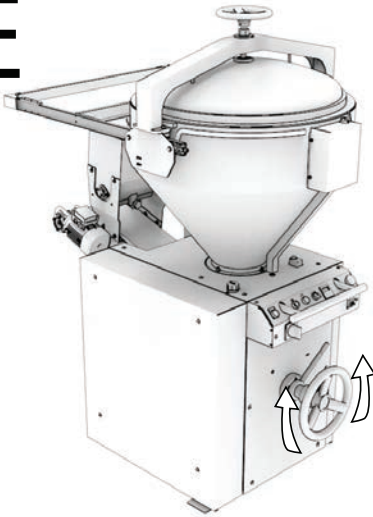


fig.14

E



F

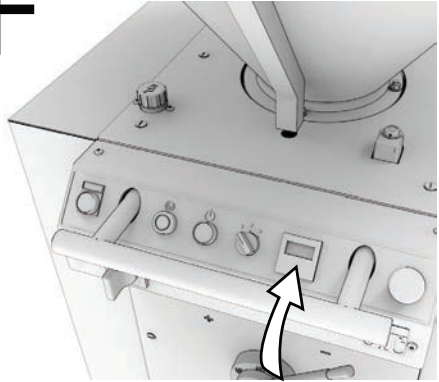
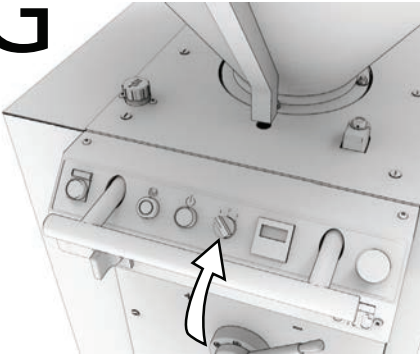


fig.15

G



H

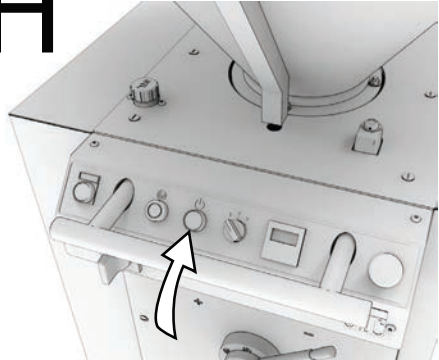


fig.16

A

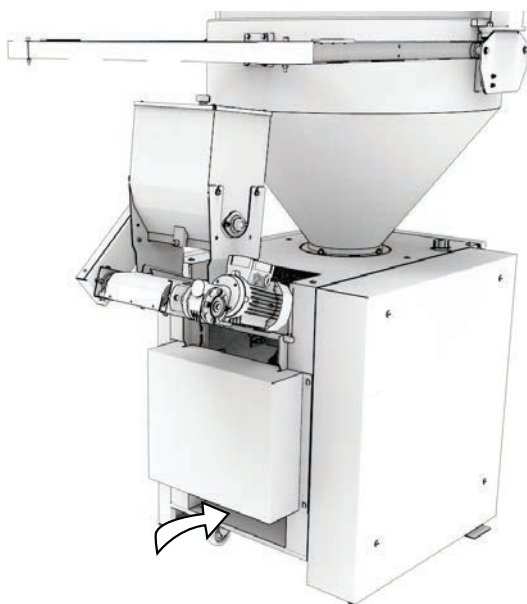


fig.17

B



fig.18

C

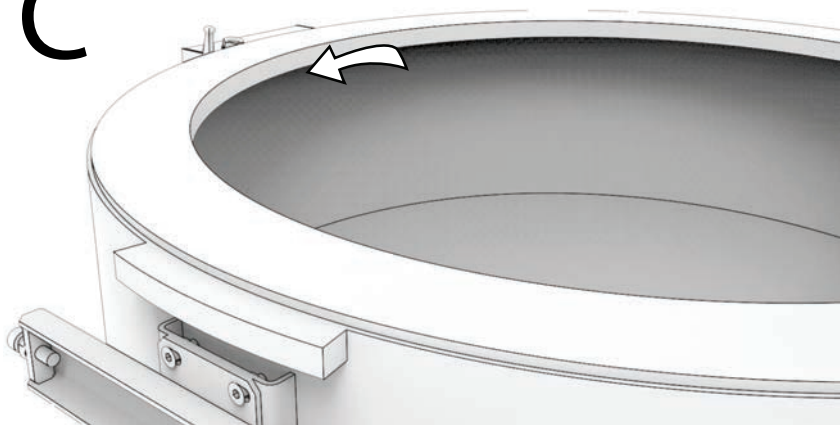


fig.19

D

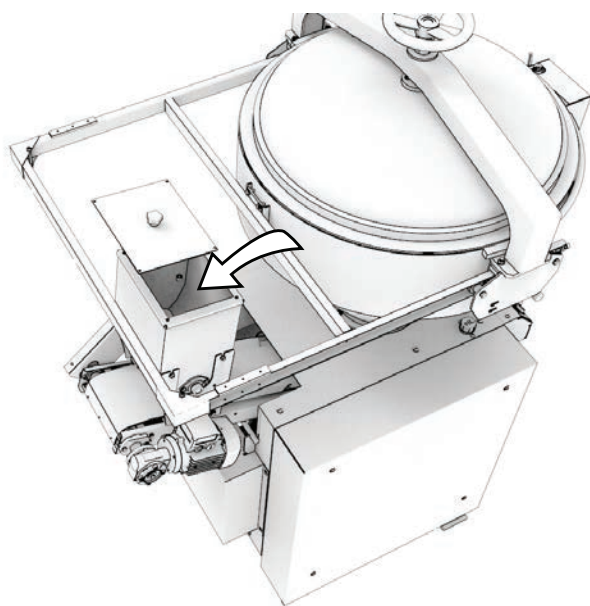


fig.20

E



fig.21

F

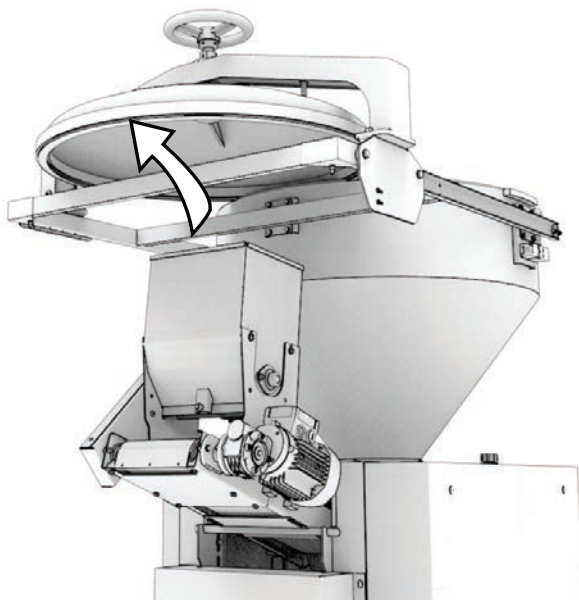


fig.22

G

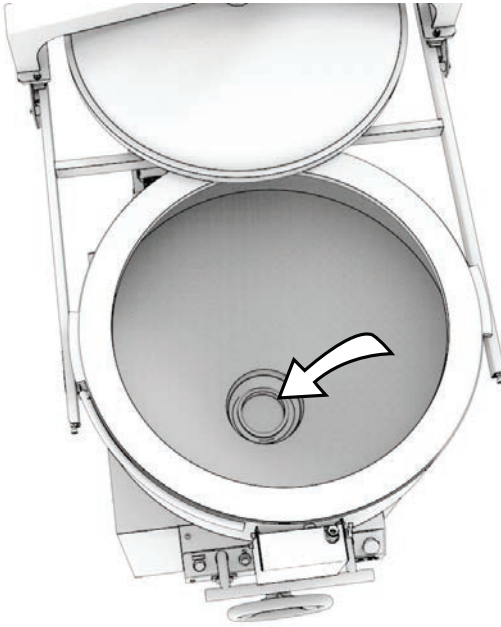


fig.23

H

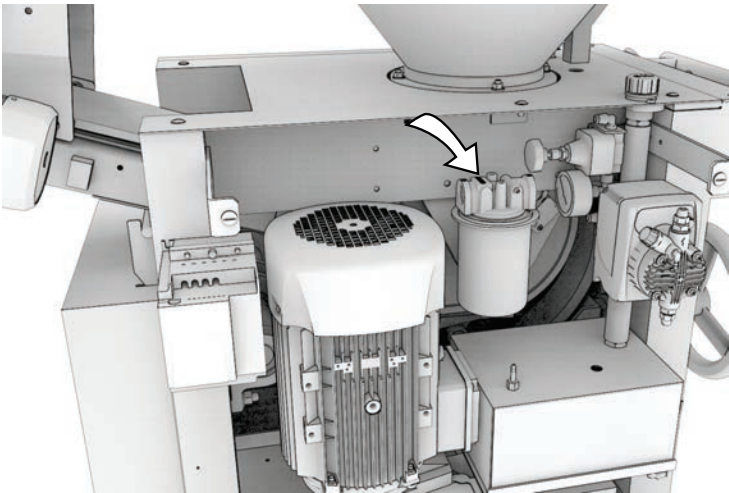


fig.24

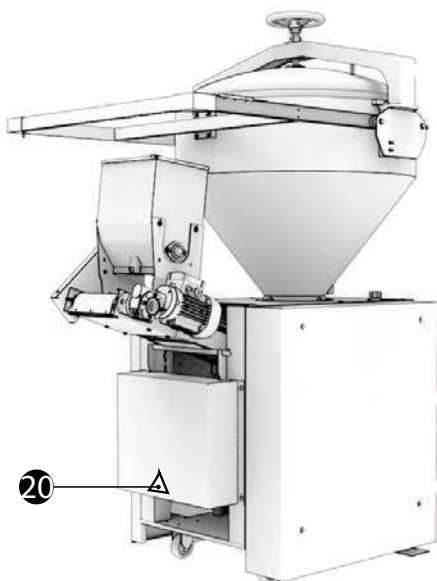
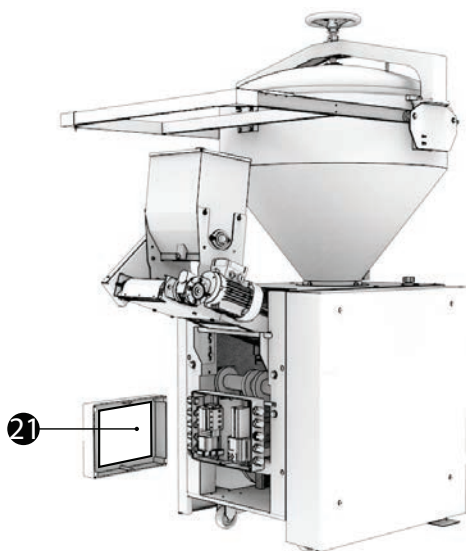


fig.25





Traditionally Innovative

CONFORMITY CERTIFICATE TO THE EUROPEAN DIRECTIVES.
CERTIFICAT DE CONFORMITE AUX DIRECTIVES EUROPEENNES.
KONFORMITÄTSZEUGNIS AN DIE EUROPÄISCHEN RICHTLINIEN.
GETUIGSCHRIFT VAN OVEREENSTEMMING MET DE EUROPESE RICHTLIJNEN.
CERTIFICATO DI CONFORMITÀ ALLE DIRETTIVE EUROPEE.
CERTIFICADO DE CONFORMIDAD CON LAS DIRECTIVAS EUROPEAS.
СЕРТИФИКАТ СООТВЕТСТВИЯ ЕВРОПЕЙСИМ ДИРЕКТИВАМ.
شهادة المطابقة مع التعليمات الأوروبية.



- EN** The undersigned certifies that the machine complies with the European Directives 2006/42, 2006/95, 2004/108.
- FR** Le soussigné déclare que cette machine est conforme aux directives européennes 2006/42, 2006/95, 2004/108.
- DE** Unterzeichneter erklärt, daß diese Maschine den Europäischen Richtlinien 2006/42 2006/95, 2004/108.
- NL** Ik ondertekende verklaar dat deze machine in overeenstemming met de Europese richtlijnen 2006/42, 2006/95, 2004/108.
- IT** Il sottoscritto dichiara questa macchina conforme alle ultime versioni delle seguenti direttive europee 2006/42, 2006/95, 2004/108.
- ES** El infrascrito declara que esta máquina es conforme con las directivas europeas 2006/42, 2006/95, 2004/108.
- RU** Нижеподписавшееся лицо заявляет, что данное устройство соответствует европейским директивам 2006/42, 2006/95, 2004/108.
- AR** يقر الموقع أدناه أن هذه الآلة متطابقة مع التعليمات الأوروبية أرقام 2006/42 و 2006/95 و 2004/108.

Last update: 01/2017
Technical files compiled by:
Pierre-Yves DORSIMONT
Verte voie, 49- 51
B-4000 Sclessin
BELGIUM

Complies with the following (parts of)
European Harmonised Standards:
EN 1672-2
EN 1935
EN 60204-1
EN 12100-1
EN 12100-2 §5, §6
EN 13954 if applicable
EN 61000-3-2, -3-3, -6-1, -6-3

B. Van Cauwenberghe
General Manager
JAC s.a.