

COMPACT BRUSHLESS BLENDER #66

Silence, Safety and Power



NEW!
QUIET BLENDING TECHNOLOGY



Internationally patented models



A quiet compact blender

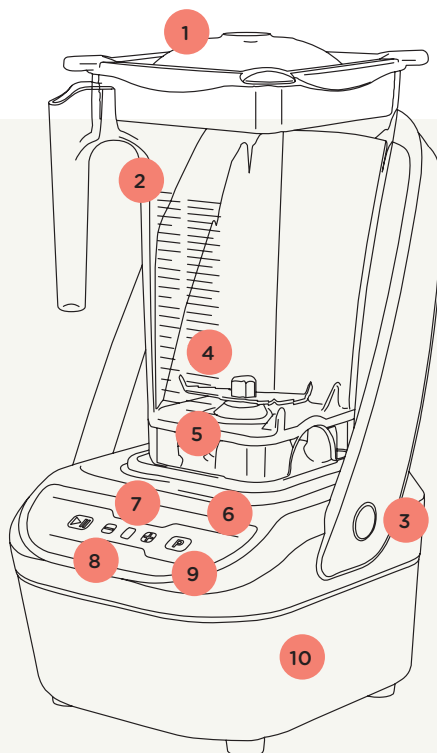
Thanks to its 9 optimized programs, the brushless blender #66 is perfect to make cocktails, smoothies, milkshakes, iced coffees and any other mixed drink.

The patented two-way rotation of the blade, unique on the market, crushes and blends any kind of ingredients in a few seconds, including ice cubes and frozen fruits.

It is quiet and offers excellent energy efficiency thanks to its brushless motor. It can be used intensively all day without overheating.

The compact Brushless Blender #66 can be used either countertop or in-counter, without any additional option (simple and quick dismantling of the base).

In-counter blender



Ref 62100Y



Ref 62100R

Perfect to avoid allergens cross contact

Option: colored jugs

- 1 **Lid equipped** with a detection
- 2 **Bisphenol A-free graduated jar**
Graduation : 48 oz / 1.4L
Capacity : 81 oz / 2.4L
- 3 **On/off switch**
- 4 **Extra strong blade:** patented two-way rotation system
- 5 **Couplings in metal**
- 6 **Illuminated touchpad** control panel
- 7 **9 programs** for a high quality, precise and constant blend
- 8 **+ and - button** to choose the program
- 9 **Pulse button**
- 10 **Brushless motor**

Choose your brushless blender

Equipped with a permanent magnet rotor, the brushless motor has many advantages:

- No maintenance
- Long lifetime
- Low noise level
- Excellent energy efficiency



Compact 66



Expert 62



Performance

Brushless motor: low consumption, high performance, silent, durable

TiN coated blade: high resistance, adapted to intensive use.

Dual Crushing Action: Patented two-way rotation of the blade.

Quick blend thanks to 9 optimized programs.

Safety

Lid detection: the motor stops when the lid is removed from the jar and when the jar is removed from the base.

Simplicity

Easy-use touchpad control panel with LCD display.

Stackable jars, graduated in milliliters and ounces, adapted to right-handers and left-handers.

Easy maintenance: each part can be dismantled (including the blade).



WATCH OUR
DEMONSTRATION
VIDEO

Safety, Standards, Hygiene

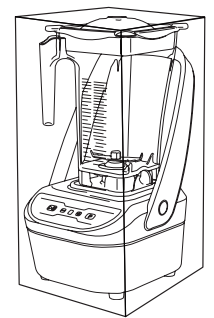
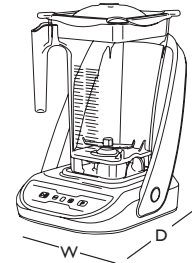
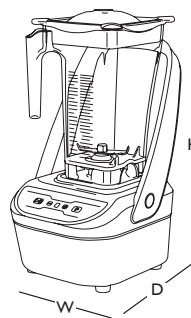
In accordance with the following regulations	Machinery directive 2006 / 42 / EC
	Electromagnetic compatibility 2014 / 30 / EU
	"Low voltage" directive 2014 / 35 / EU
	RoHS directive 2011 / 65 / EU
	Regulation 1935 / 2004 / EC (contact with food)
Harmonized European Standards	Regulation 10 / 2011 / EU (Plastic in contact with food)
	EN ISO 12100 : 2010
	NF EN 12852 + A1 : 2010
	EN 60204-1 + A1 : 2009
	EN 60335-2-64 : 2004 Commercial electric kitchen machines
	CE Marking
Thermal Safety	Motor protected by internal thermal detector
Electrical Safety	Resettable overintensity protection
	Appliances are 100% tested after assembly
Acoustic Safety	Very silent and powerful brushless motor
Hygiene	All removable parts can be put in a dishwasher or easily cleaned with hot soapy water. Bysphenol-free.

Technical specifications

Motor

Single phase:
220-240 V - 50/60 Hz - CE

Speed:
Max torque: 8N.m



Appliance

W: 197 mm (8")
D: 233 mm (9")
H: 393 mm (16")

Weight:
6.2 Kg (13.7 lbs)

In-counter version

W: 197 mm (8")
D: 233 mm (9")
H: 307 mm (12")

Weight:
6 Kg (13.2 lbs)

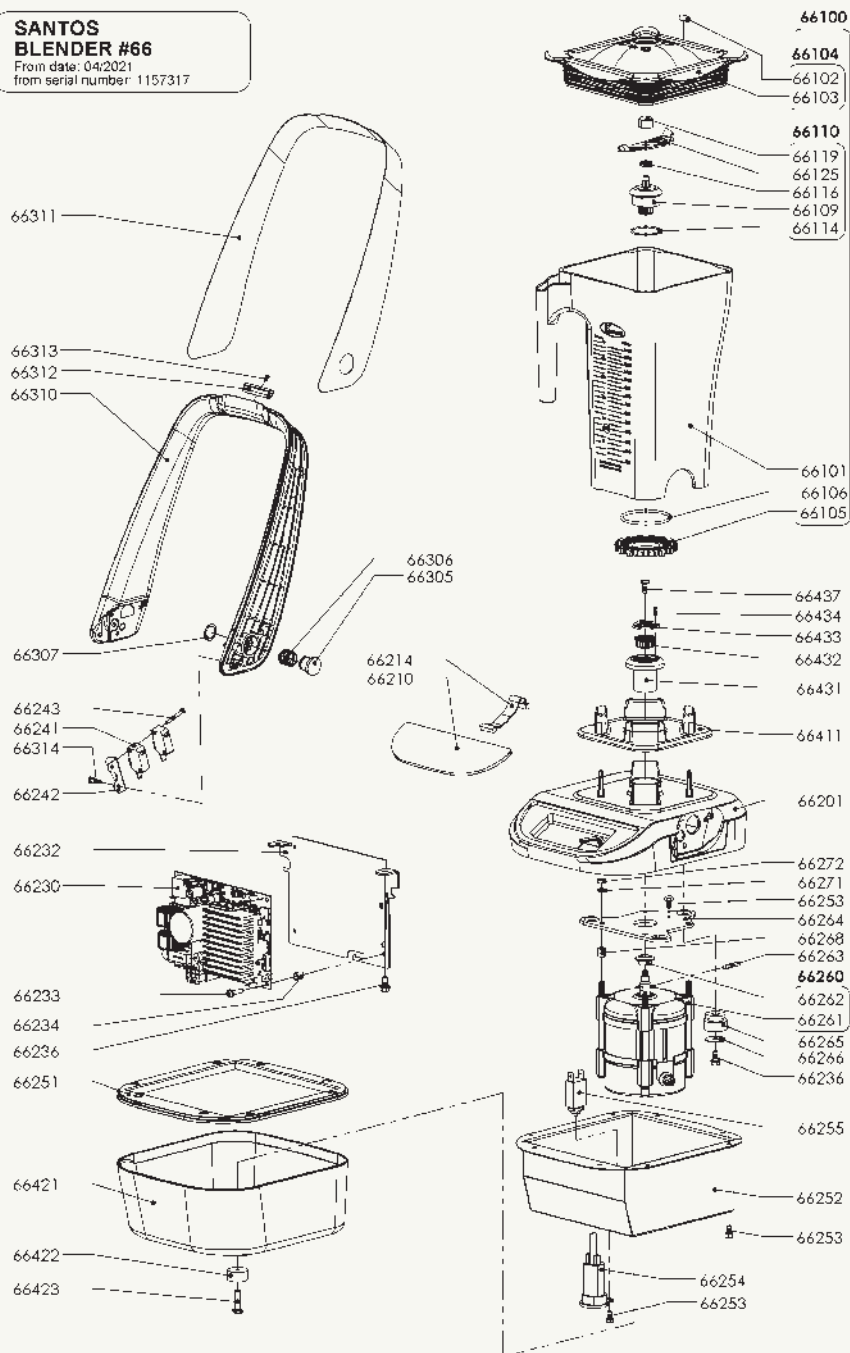
Shipping Box

W: 236 mm (9")
D: 276 mm (11")
H: 432 mm (17")

Weight:
7.3 Kg (16 lbs)

PRODUCT: 2 YEAR WARRANTY

**SANTOS
BLENDER #66**
From date: 04/2021
from serial number: 1157317



SANTOS
140-150 avenue Roger Salengro
BP 80 067
69511 Vaulx-en-Velin Cedex (Lyon) FRANCE

Tél : +33 472 37 35 29
Fax : +33 478 26 58 21
Email : santos@santos.fr
www.santos.fr

Follow us on **#santosaddict**
social networks

